



INSTRUCTIONS

-J00306

REV. 4-25-03

Kit Number 58024-96A

WINDSHIELD KIT

General

This kit is designed for installation on 1996 and later XLC (Sportster) 1200 Custom vehicles and 1987 to 1994 FXLR vehicles.

See the Service Parts Illustration for a list of the kit contents.

CAUTION

Check mounting hardware periodically. Never ride with loose mounts. A loose mount causes extra stress on all other mounts, as well as the windshield itself, and could result in premature failure of either or both.

WARNING

Inspect windshield upon completion of installation. Be sure windshield mounting does not restrict full left or full right movement of front fork assembly. If restriction does occur, adjust windshield as needed until proper clearance is obtained. Restricted movement could affect handling, resulting in death or serious injury.

NOTE

Have experienced Harley-Davidson service personnel correct any problems before riding with this accessory installed.

Installation

1. See Figure 1. Place U-clamp (1) around horizontal portion of handlebar with open end of clamp facing downward. Using a pliers, lightly squeeze ends of U-clamp together.
2. See Figures 1 and 2. Place spacer cup and internal lockwasher on eyebolt. Start slipping eyebolt through U-clamp from outside of handlebar. Continue inserting eyebolt through two beveled washers (placed between U-clamp prongs, bevels facing each other) and out through other side of handlebar clamp.

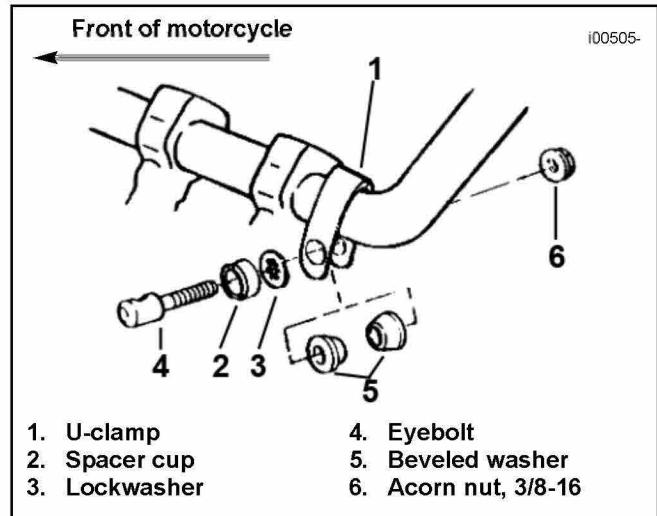


Figure 1. U-clamp Installation

NOTE

Some handlebar styles may require the eyebolt to be assembled into the U-clamp from the top to achieve proper alignment of the uprights.

3. Install 3/8-16 acorn nut on eyebolt, but do not fully tighten. Repeat procedure on other side of handlebar.
4. See Figure 2. Attach lower angle brackets (2), left and right, to windshield (7) in the following order (front to rear): #10-32 x 1 in. screw (3), dished washer (4), 3/4 in. washer (5), rubber bushing (6), windshield (7), rubber bushing (6), 3/4 in. washer (8), angle bracket (2) and #10-32 Whizlok nut (9). Do not fully tighten nut.

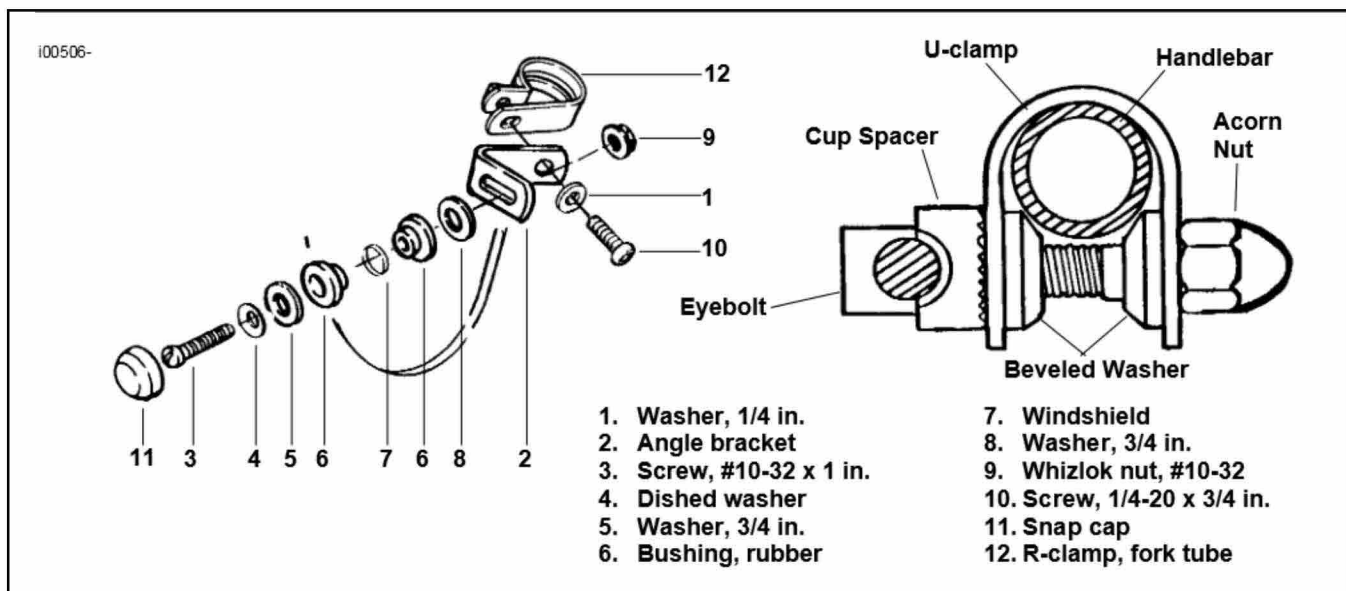


Figure 2. Windshield Brackets

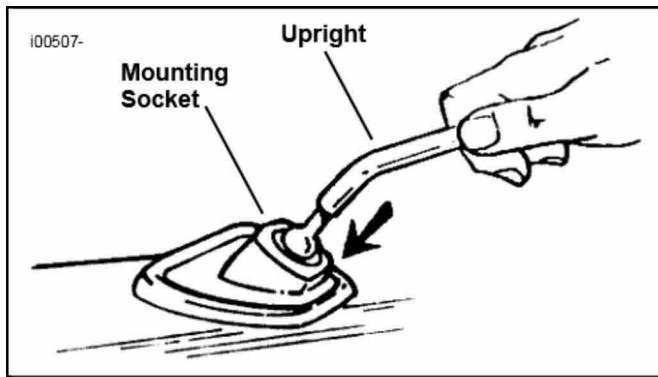


Figure 3. Upright and Mounting Socket

5. See Figure 3. Position windshield's upper mounting socket on a non-abrasive flat surface. Lubricate socket with water or saliva. Do not use oil, grease or silicone. Firmly press ball end of upright into upper socket, left and right side. Ball will snap into place.
6. Slip uprights into eyebolt holes. Do not tighten nuts at this time.
7. Position windshield over top of headlight.

CAUTION

Be sure upright ends do not come in contact with the instrument cluster. The chrome will be damaged.

8. See Figure 2. Place fork tube clamp (12) on each fork leg. Position the clamp flat side to the outside, pointing forward. Squeeze the clamp tight on the forks.
9. With screws (10) from kit, bolt angle brackets (2) to the fork clamps (12).
10. Align windshield (7) in desired position. Be sure it is centered, left to right.
11. Tighten hardware in the following sequence: eyebolts, #10-32 x 1 in. screw (3) (just until snug), and 1/4 in. angle bracket screw (10).
12. Install snap caps (11) over #10-32 x 1 in. screws (3).

Care and Cleaning

CAUTION

Do not clean Lexan® polycarbonate in hot sun or high temperature. Powdered, abrasive or alkaline cleanser will damage the windshield. Never scrape the windshield with a razor blade or other sharp instruments because permanent damage will result.

Sunlight reflections off of the inside curvature of a windshield can, at certain times of the day, cause extreme heat build-up on motorcycle instruments. Exercise care in parking. Park facing the sun, place an opaque object over the instruments, or adjust the windshield to avoid reflections.

Harley-Davidson windshields are made of Lexan®. Lexan® is a more durable and distortion-resistant material than other types of motorcycle windshield material, but still requires attention and care to maintain.

- Do not use liquid windshield “protectors” on your windshield. Although they may work well on automobile safety glass, Harley-Davidson cannot ensure the results when used on Lexan® Harley-Davidson windshields. If you want to use a windshield protectant on your windshield, try Harley Glaze Polish and Sealant® #99701-84, or Novus Plastic Cleaner Protectant #99837-94T.
- Do not use benzine, paint thinner, gasoline, or other types of harsh cleaning agents on windshield. They will damage the windshield surface.
- Do not use benzine, paint thinner, gasoline, lubricants (including Armorall), or other cleaning agents on the rubber bushings. They will damage the bushing surfaces.

NOTE

Covering the windshield with a clean, wet cloth for approximately 15 minutes before washing will make dried bug removal easier.

NOTE

Reference the Owner's Manual for complete care and cleaning of windshield.



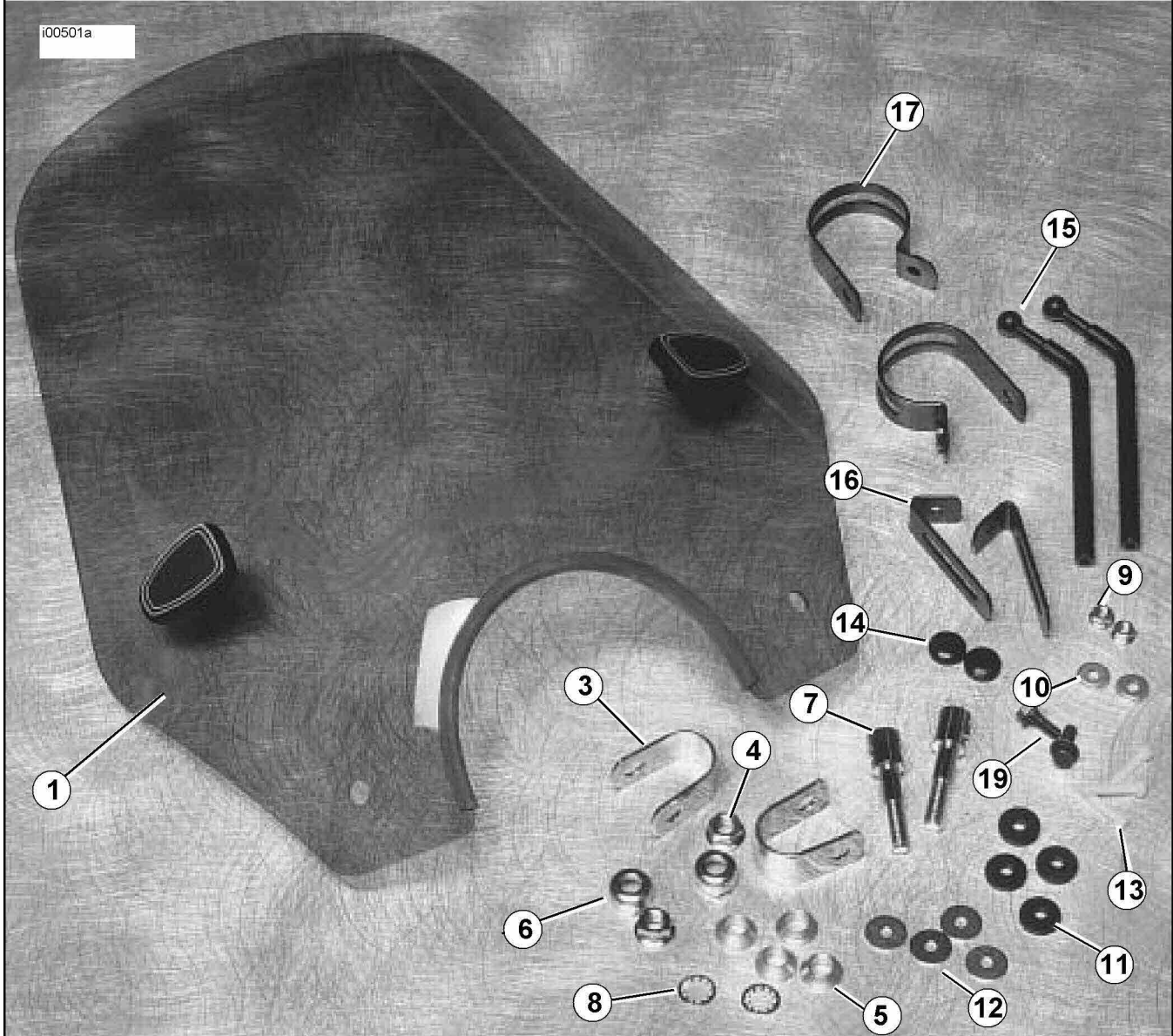
Service Parts

Part No. 58024-96A

Date 4/03

Windshield Kit

i00501a



ITEM	DESCRIPTION	PART NO.
1	Windshield	Not sold
2	Decal, winged bar & shield(not shown)	14104-83V
Handlebar Clamp Kit, 58332-96, consists of items 3-8		
3	U-clamp, 1 in. (2)	Not sold
4	Acorn nut, 3/8-16 (2)	7680W
5	Washer, beveled, serrated (4)	Not sold
6	Spacer cup (2)	Not sold
7	Eyebolt, 3/8-16 (2)	Not sold
8	Lockwasher, internal tooth (2)	Not sold

ITEM	DESCRIPTION	PART NO.
Mounting Hardware Kit, 58140-87, consists of items 9-14		
9	Whizlok nut, #10-32 (2)	Not sold
10	Dished washer (2)	Not sold
11	Bushing, rubber (4)	Not sold
12	Washer, #10 x 3/4 in. (4)	Not sold
13	Screw, nylon, #10-32 x 1 in. (3)	Not sold
14	Snap cap (2)	58144-85
Mounting Bracket and Hardware Kit, 58139-96, consists of items 15-19		
15	Upright, ball end (2)	Not sold
16	Bracket, windshield support (2)	Not sold
17	R-clamp, fork tube (2)	Not sold
18	Washer, 1/4 in. (4)	Not sold
19	Screw, hex socket, button hd, 1/4-20 x 3/4 in. (2)	Not sold