



# INSTRUCTIONS

-J00226

2004-05-05

## SHORT RAIL BACKREST PADS

### GENERAL

#### Kit Number

See Below

#### Models

This Instruction Sheet applies to Short Rail and Mini Rail Backrest Pad kits.

Table 1. Models

Kits	Models
52085-98	Softail Custom Bucket Seat
52496-94	1995 Special
52497-94	Bad Boy
52514-94	FAT BOY® FLSTF
52516-94	HERITAGE FLSTC
52517-94	SPRINGER® FXSTS, XL 1200 Custom
52518-94	Pillow Look
52648-96	XL 1200 Sport
52513-94	Badlander (With Mini Rail uprights)
52670-96	XL seat with embroidered Bar and Shield logo
52992-98	XL 1200 Sportster Custom
52935-97	XL and Dyna Slammer Seats
52937-97	XL and Dyna Slammer Seats
53023-98	XL and Dyna Embroidered Seats
52568-01	2001 FXDWG <sup>2</sup> (with Mini Rail upright)
52901-01	2002 FXDWG <sup>3</sup> (with Mini Rail upright)

### Additional Parts Required

These Backrest Pad kits are designed for installation on 1984 and later models equipped with a sissy bar sideplate kit in combination with a Short Rail upright kit, Part No. 52737-94 or 52728-95.

The 52513-94 Backrest Pad kit is only for models equipped with Badlander seats and one of the following Mini Rail upright, kits: 52738-94A, 52744-94 or 51512-02.

The 52568-01 Backrest Pad Kit is designed for installation on 2001 FXDWG<sup>2</sup> model motorcycles and should be used with mini rail upright part number 52744-94 as well as the right and left stock FXDWG Sideplates or an appropriate detachable sideplate kit.

The 52901-01 Backrest Pad Kit is designed for installation on 2002 FXDWG<sup>3</sup> model motorcycles and should be used with mini rail upright part number 51512-02 as well as the right and left stock FXDWG Sideplates or an appropriate detachable sideplate kit.

### Kit Contents

See Figure 3 and Table 2.

There are no Service Parts available with this kit.

### INSTALLATION

#### NOTE

Figures 1 and 2 show pad being mounted on short upright, Part No. 52737-94, before short upright is mounted on sideplates. The pad may be installed before or after short upright is mounted.

1. See Figure 1. Remove protective film from mounting bracket (1) and attach the mounting bracket with the 1/4-28 x 3/8 in. screw (2) onto short upright, Part No. 52737-94 or 52728-95; or onto Mini Rail upright, Part No. 52738-94 or 52744-94. Check that mounting bracket is parallel with upright and tighten screw to 48-60 **in-lbs** (5.4-6.8 Nm).
2. See Figure 2. Position backrest pad (1) on the upright. Place mounting plate (2) in position and secure with two chrome screws (3) as shown. Tighten screws to 48-60 **in-lbs** (5.4-6.8 Nm)

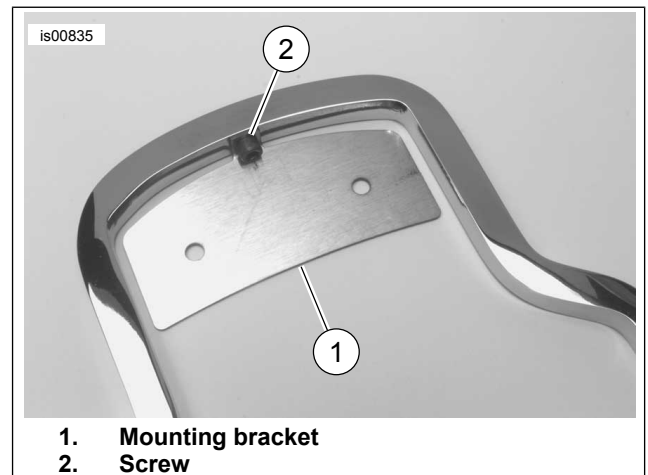


Figure 1. Mounting Bracket Installed

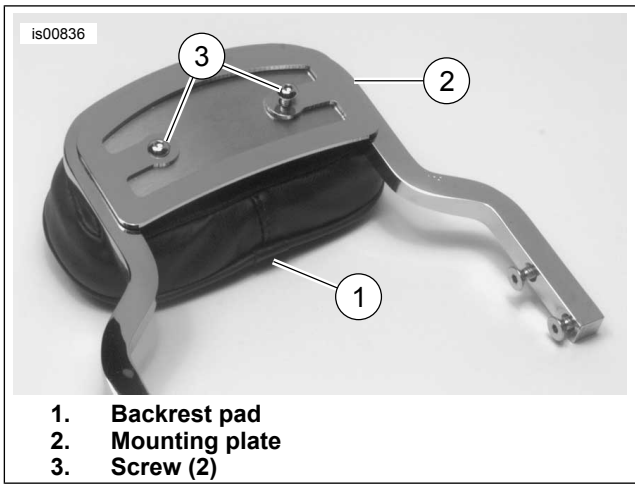


Figure 2. Pad and Mounting Plate Installed

## SERVICE PARTS

See Figure 3 and Table 2.

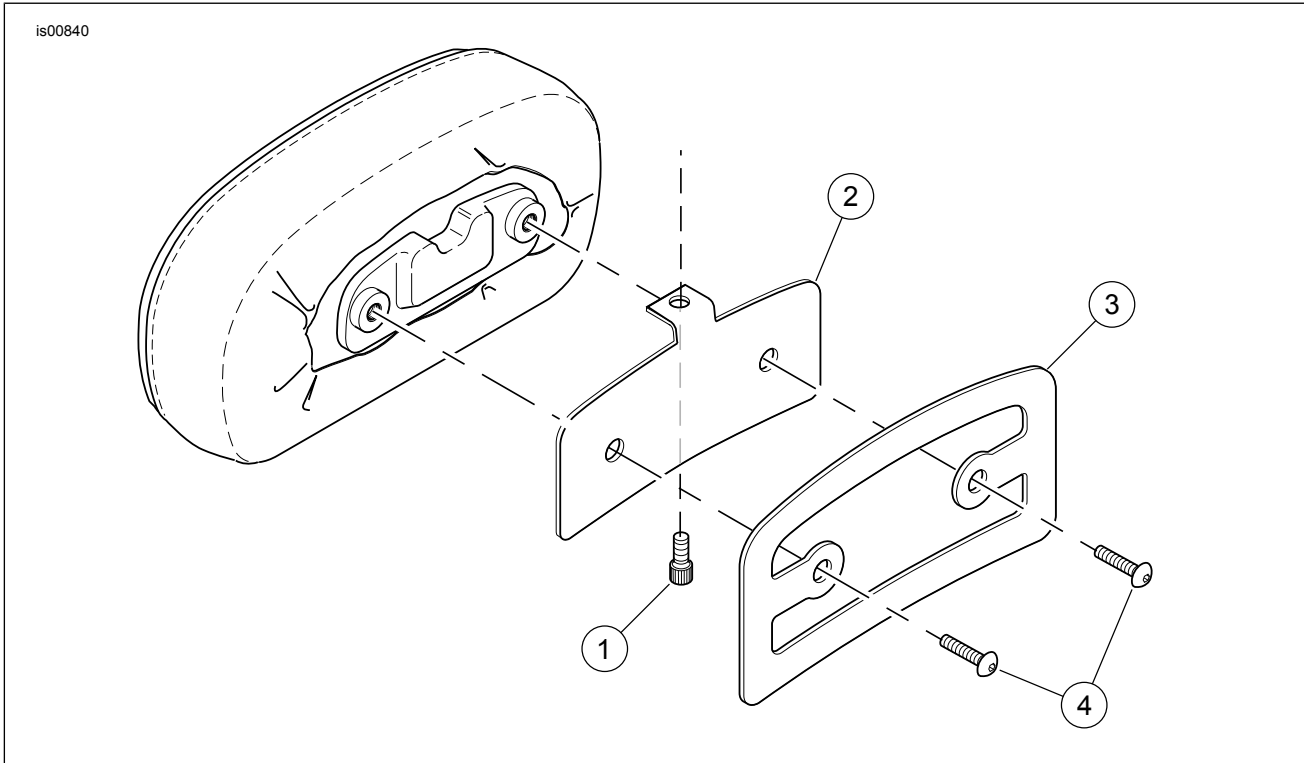


Figure 3. Service Parts: Short Rail & Mini Rail Backrest Pad Kits

Table 2. Service Parts Table

Item	Description (Quantity)	Part Number	Item	Description (Quantity)	Part Number
1	Screw, 1/4-28 x 3/8 in.	896	3	Plate, mounting	52813-94
2	Mounting bracket	52745-94		Plate, mounting, BADLANDER, FXDWG <sup>2</sup> and FXDWG <sup>3</sup>	52753-94
	Mounting bracket, BADLANDER, FXDWG <sup>2</sup> and FXDWG <sup>3</sup>	52809-94	4	Screw, button head, chrome (2)	94386-92T