



INSTRUCTIONS

-J00201

REV. 1-1-96

Kit Numbers 51675-96 and 51676-96

DETACHABLE PASSENGER SEAT HARDWARE KIT

General

This kit provides the hardware to make your seat removable without tools.

Part No. 51675-96 is designed for the following models equipped with 1-piece seats.

- 1982-1995 XL models
- 1984-1995 Softail models
- 1991-1995 FXD models
- 1982-1994 FXR models

Part No. 51676-96 is designed for the following models equipped with 1-piece seats:

- 1996 and later XL, FXST and FXD models

NOTE

Service Parts for these kits are listed on last page.

Kit Contents:

QTY	DESCRIPTION
1	O-ring
1	Grommet, rubber
1	H-D emblem
1	Knob, knurled
1	Bracket, passenger seat, rear mounting
1	Washer, shoulder, nylon
1	Adhesive, 3 gram tube

Installation

1. See Figure 1. Remove screw and nylon washer from rear seat bracket and discard.
2. Slide seat to the rear of the motorcycle and lift seat to remove.
3. Remove two original equipment (OE) bolts securing bracket at rear of passenger seat. Retain bolts, discard bracket.
4. See Service Parts Illustration. Locate the passenger seat bracket (5). Install bracket (5) on rear of passenger seat with OE bolts.
5. From fender side of bracket (5), insert rubber grommet (2) into large hole in bracket (5). From top side of bracket (5), press nylon washer (6) into grommet (2).

⚠WARNING

Please observe this warning when applying the adhesive in this kit. **EYE IRRITANT. BONDS SKIN IN SECONDS. CONTAINS CYANOACRYLATE ESTER.** Avoid contact with skin and eyes. In case of eye or mouth contact, hold eyelid or mouth open and flush with water. Call physician immediately. If fingers become bonded, soak in warm soapy water. Avoid prolonged breathing of vapors. Use with adequate ventilation. **KEEP OUT OF THE REACH OF CHILDREN.**

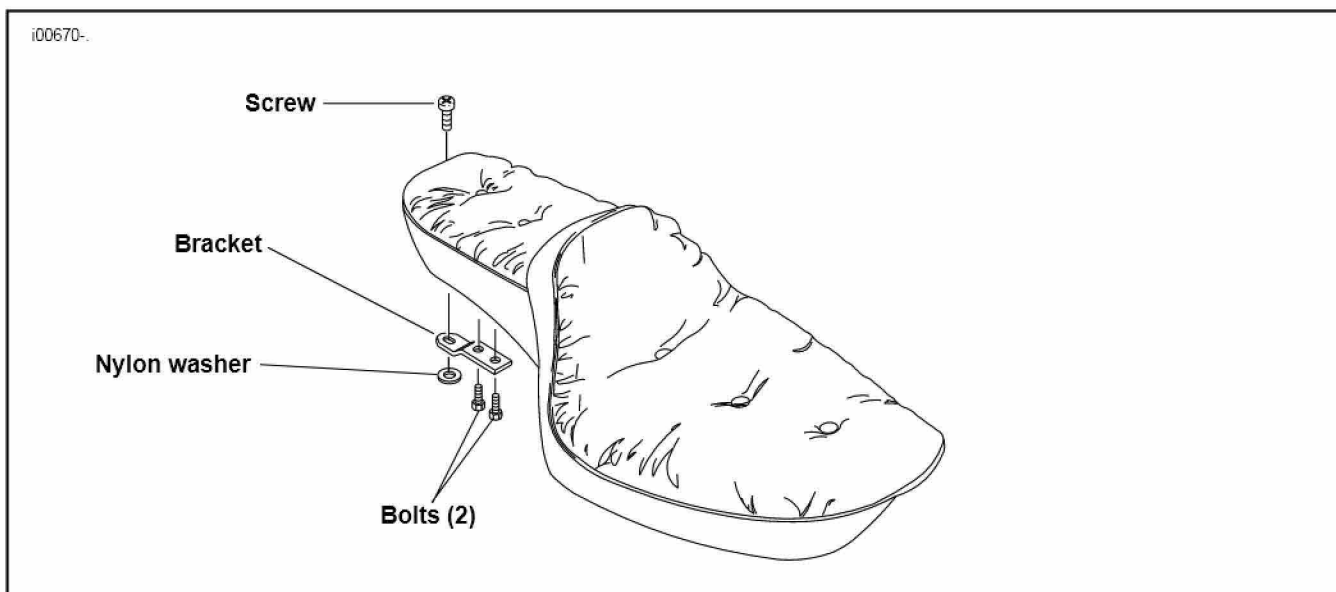


Figure 1. Removing Seat

6. See Figure 2. Apply one or 2 drops of adhesive from kit to tubular portion of rubber grommet so it wicks into the mating surfaces on the grommet and nylon washer.
7. See Service Parts Illustration. Remove backing paper from H-D emblem (3) and install emblem on top of knurled knob (4 or 4a).
8. Slide o-ring (1) onto threaded stud of knurled knob (4 or 4a). Insert threaded stud of knurled knob (4 or 4a) through nylon shoulder washer (6) and rubber grommet (2) in rear mounting bracket (5).
9. Slide seat into position so that front seat bracket engages tang on frame.
10. Install knurled knob into threaded fender hole to secure rear of seat. Tighten with fingers only.

⚠WARNING

After installing seat, pull upward on front of seat to be sure it is locked in position. If seat is loose, it could shift position during vehicle operation causing loss of control and personal injury.

⚠WARNING

Do not install this kit on motorcycles that are not equipped with appropriate passenger footpegs and grab strap. Footpegs and grab strap will help passenger stabilize his/her position while motorcycle is in motion. If footpegs and grab strap are not installed, passenger could fall from moving motorcycle or grab onto operator, causing loss of control and possible personal injury and/or property damage. If the grab strap is missing, see your Harley-Davidson dealer for acquisition of a new grab strap.

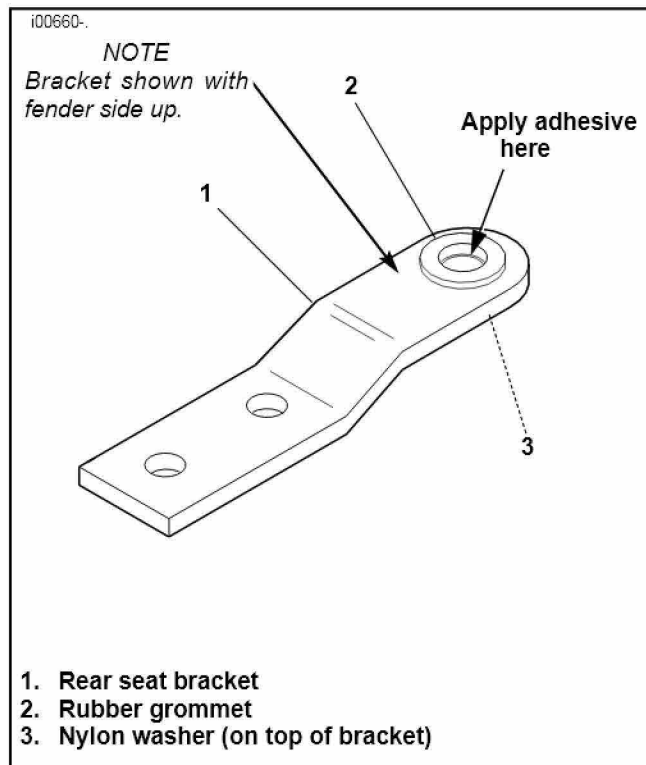


Figure 2. Applying Adhesive

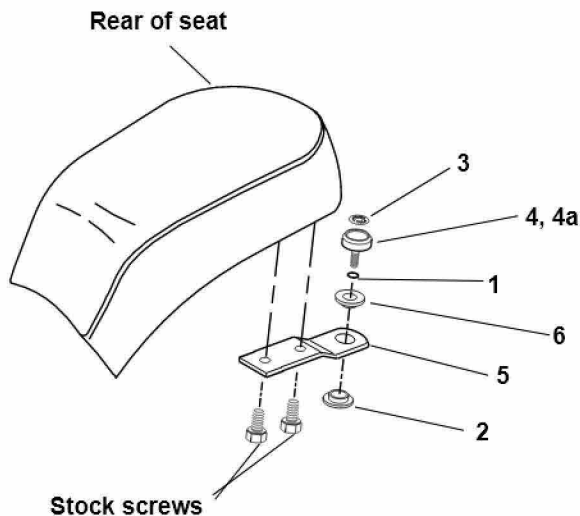


Service Parts

Part No. 51675-96, 51676-96 | Date 1/96

Passenger Seat Kit

sp51675



Item	Description	Part No.	tem	Description	Part No.
1	O-ring	11277	5	Bracket, passenger seat, rear mounting	51663-96
2	Grommet, rubber.	11501			6274
3	H-D emblem	14628-96	6	Washer, shoulder, nylon	(not sold)
4	Knob, knurled, 1/4-20 (Kit 51676-96)	3649	7	Adhesive	
4a	Knob, knurled, 1/4-28 (Kit 51675-96)	3682			