



INSTRUCTIONS

-J00172

REV. 10-1-84

Kit Number 49106-77, 49106-84, 49136-84, and 49152-84

HIGHWAY FOOTREST KIT

General

Part No. 49106-77 and 49136-84 are designed for 1977 through early 1984 XL model vehicles (equipped with generators).

Part No. 49106-84 and 49152-84 are designed for late 1984 and later XL model vehicles (equipped with alternators).

This kit contains the following parts:

ITEM	QTY	DESCRIPTION
1	1	Support, right (long)
2	1	Support, left (short)
3	4*	Washer, 7/16 in.
4	2	Lockwasher
5	2	Bolt, bracket, 7/16 - 20 x 1 in.
6	2	Footrest
7	2	Bolt, footrest, 3/8 - 16 x 1 1/2 in.
8	2	Spring washer
9	2	Locknut, 3/8 - 16 in.

*Kits for late 1984 and later XL models have only two washers.

Installation (Figure 1)

1. See Figure 1. Place a lockwasher (4) and washer (3) on a bolt (5). Install the bolt in the mounting hole provided in the engine support bracket so the bolt head is on the inside of the bracket.

1977 THROUGH EARLY 1984 MODEL VEHICLES ONLY:

If vehicle is equipped with an engine support having a socket and punched welded washer, do not use optional washer (3). Be certain footrest support is engaged in the socket.

If vehicle is equipped with an engine support without a socket and punched welded washer, place a second washer (3) on the bolt.

2. Thread the bolt into the support (1). Bolt holes in the support (1) must be positioned to allow the footrest to fold up at a 45° angle toward the rear of the vehicle.

If support is the curved style (Part Nos. 49106-77 and 49136-84), curve must rise as shown.

3. Tighten bolt (5) to 54 ft-lbs.
4. Place bolt (7) through upper portion of clevis, spring washer (8), footrest (6) and lower portion of clevis. Thread nut (9) on the bolt and tighten to 19 ft-lbs.
5. Repeat the procedure for the opposite side.

⚠ WARNING

When installation is complete, footrest must fold up at a 45° angle toward the rear of the vehicle. If footrest does not fold up toward the rear, it is possible that upon contact with the road surface or other object, handling may be affected resulting in damage to the vehicle or personal injury.

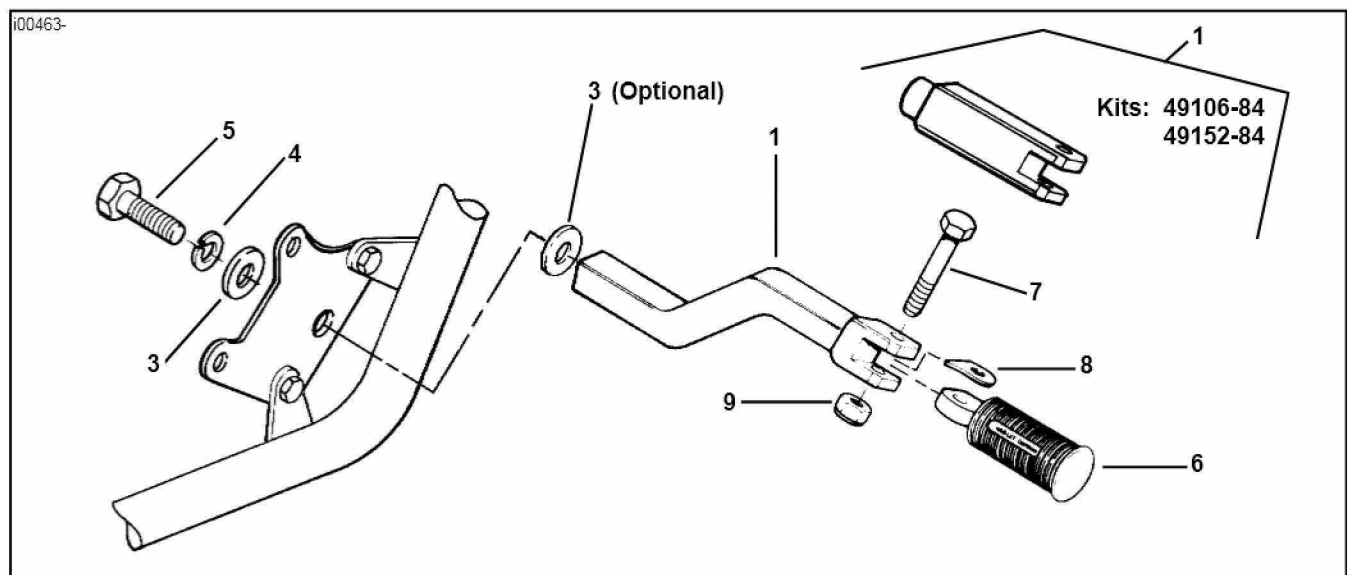


Figure 1. Footrest Installation - Right Side