



# INSTRUCTIONS

-J00168

REV. 9-1-95

Kit Number 49053-96

## XL™ (SPORTSTER) ADJUSTABLE HIGHWAY FOOTPEG SUPPORT KIT

### General

This kit is designed for installation on all 1984 1/2 and later XL (Sportster) model motorcycles equipped with an alternator. Use this kit with your choice of small, male end, footpegs.

#### NOTE

*This kit will not fit models equipped with an early style engine guard.*

*Use only Engine Guard Kit Part No. 49018-88B with these Adjustable Highway Peg Supports*

*A Service Manual for your vehicle is available from your Harley-Davidson dealer.*

Kit contents:	QTY	DESCRIPTION
	1	Arm, right - Long arm
	1	Arm, left - Short arm
	2	Mounting plate
	2	Bolt, hex head, 1/2-20 x 1 1/4
	2	Lockwasher, 1/2
	2	Footpeg support
	2	Lockwasher, 7/16
	2	Bolt, hex head, 7/16-20 x 1
	2	Cable strap
	2	Locknut, hex, 3/8-16 x 7/16 x 9/16
	2	Bolt, hex head, 3/8-16 x 1 1/2
	2	Spring washer

### Installation

1. On lower, front, right hand side of vehicle:

Cut cable strap holding regulator wires to frame. Move wires away from engine support bracket.

See Service Parts Diagram. Place a lockwasher (4) on a bolt (5).

See Figure 1. Place the right arm (1) on a mounting plate (2) with the arm dowel in the selected position hole (choice of three) in the mounting plate (2). Align the arm (1) bolt hole with the bolt hole in the mounting plate (2).

Place the mounting plate (2) against the outside of the engine support bracket with the mounting plate (2) "step" aligned with and butted against the front edge of the engine support bracket. Align the mounting plate bolt hole and the arm bolt hole with the engine support bracket center hole.

See Service Parts Diagram. Thread washer (4) and bolt (5) through the assembly and into the arm (1). Tighten bolt (5) to 54 ft-lbs.

2. Reposition regulator wires and wrap them to frame with a new cable strap from kit.
3. See Service Parts diagram. To attach footpeg support (6) to arm (1):  
Place washer (7) on bolt (8).  
Place footpeg support (6) on arm (1).  
Thread washer (7) and bolt (8) through arm (1) and into footpeg support (6). Tighten bolt to 78 ft-lbs.

#### ⚠WARNING

Footpegs must fold upward and toward the rear at about a 45° angle when retracted. If they do not, footpeg could contact ground while motorcycle is in a turn, causing loss of control or startling the rider, resulting in possible personal injury and/or damage to vehicle.

If footpegs do not fold up and back at a 45° angle, remove them and turn them over so the flat surface is facing forward.

4. To attach footpeg (sold separately) to footpeg support:  
Install footpeg and spring washer (12) between the support prongs on the footpeg support (6). Secure the footpeg and spring washer (12) between the support prongs using bolt (11) and self-locking nut (10). Tighten bolt to 19 ft-lbs.
5. Repeat instructions 1 through 4 for left side footpeg mounting.

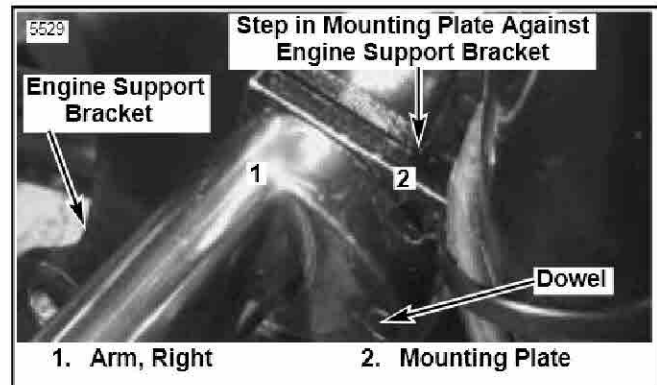


Figure 1. Adjustable Footpeg Installation (Right Side of Vehicle)



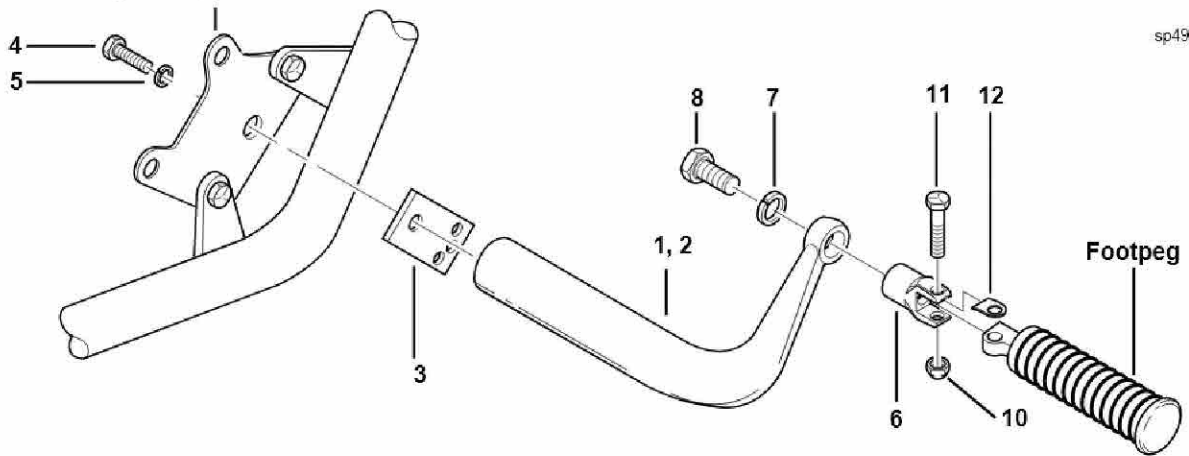
# Service Parts

Part No. 49053-96

Date 9/95

## XL Adjustable Footpeg Mounting Kit

### Engine Support Bracket



Item	Description	Part No.
1.	Arm, right	49061-96
2.	Arm, left	49062-96
3.	Mounting plate	49054-96
4.	Bolt, hex hd	4640
5.	Lockwasher	7039
6.	Support, footpeg	50900-72

Item	Description	Part No.
7.	Lockwasher	7068
8.	Bolt, hex hd	3486
9.	Cable strap (not shown)	10006
10.	Locknut, hex	7778
11.	Bolt, hex hd	4721
12.	Washer, spring	50912-72