



INSTRUCTIONS

-J00166

REV. 10-1-95

Kit Number 49018-88B

XL (Sportster) ENGINE GUARD

General

This kit is designed for installation on all XL (Sportster) models manufactured since late 1984.

See NOTE below regarding installation on 1982 to early 1984 XL and XR-1000 models.

Kit contents:

QTY DESCRIPTION

1	Screw, 3/8-24 x 5-1/2 in.
2	Washer, 3/8 in. flat
1	Bracket, engine guard support
2	Locknut, 3/8-24
1	Engine guard
2	Washer, 5/16 in. flat
2	Screw, 5/16-18 x 1-1/2 in. (use on nut plate-'85 models)
2	Screw, 3/8-24 x 1-1/4 in. (use on nut plate-'86 to late '94 models)
2	Screw, 3/8-16 x 1-3/4 in. (use on nut plate-'96 and later models)
1	Screw, 3/8-24 x 5 in.

⚠WARNING

This guard may provide limited leg and cosmetic vehicle protection under unique circumstances (fall over while stopped, very low speed slide). It is not made nor intended to provide protection from bodily injury in a collision with a vehicle or any other object.

NOTE

This kit can also be installed on 1982 through early 1984 XL and XR-1000 models (equipped with generator) with the purchase of short engine guard support bracket, Part Number 49014-85. Part 49014-85 is not included with this kit. Installation procedures for 1982 to early 1984 vehicles are on Page 2.

Cover front fender with a clean rag to protect it from scratches during installation procedures.

A Service Manual for your vehicle is available from your Harley-Davidson dealer.

Installation- Late 1984 and Later XL Models (Equipped With Alternator)

⚠CAUTION

Late 1994 and 1995 XL vehicle nut plates have 3/8-16 threads. Reuse original screws on late 1994 and 1995 XL models. Installing the 3/8-24 x 1-1/4 in. screws from kit will damage nut plate and screw threads.

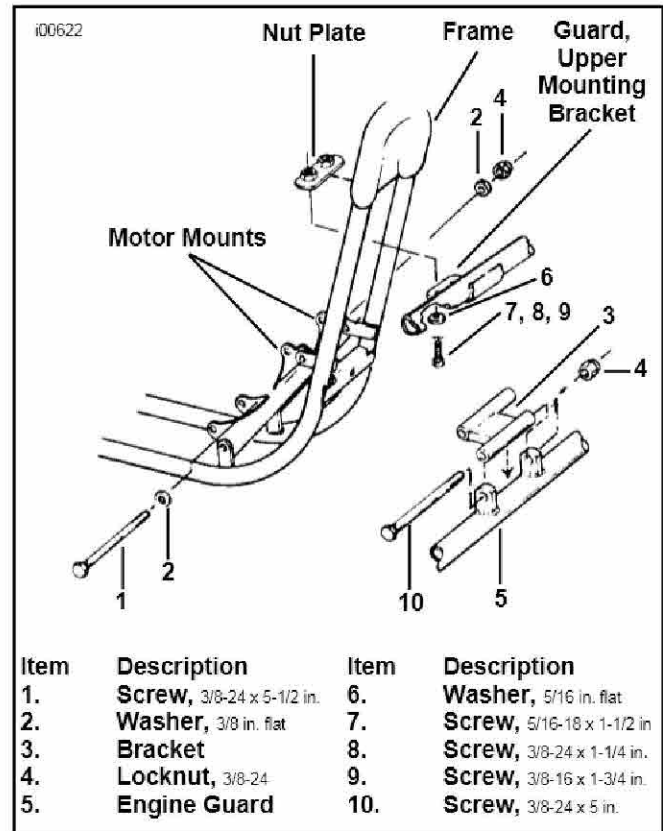


Figure 1. Disassembly/Installation (Alternator Models)

1. See Figure 1. From underside of steering head remove screws (7, 8, or 9) and flat washer (6). Discard original screws (7, 8, or 9) and washer (6).
2. Remove and discard the two top motor mount screws, washers, and nuts.
3. See Figures 1 and 2. Place washer (2) on 5-1/2 in. screw (1). Insert screw (1) through one motor mount, through the offset end of bracket (3), and (with large offset toward jiffy stand side of vehicle) through the other motor mount. Place kit supplied washer (2) on end of screw (1) and secure with locknut (4). Be sure bracket does not pinch wiring. On 1986 and later models be sure bracket does not contact oil pressure switch.
4. See Figure 1. Position engine guard (5) upper mounting bracket under the steering head.

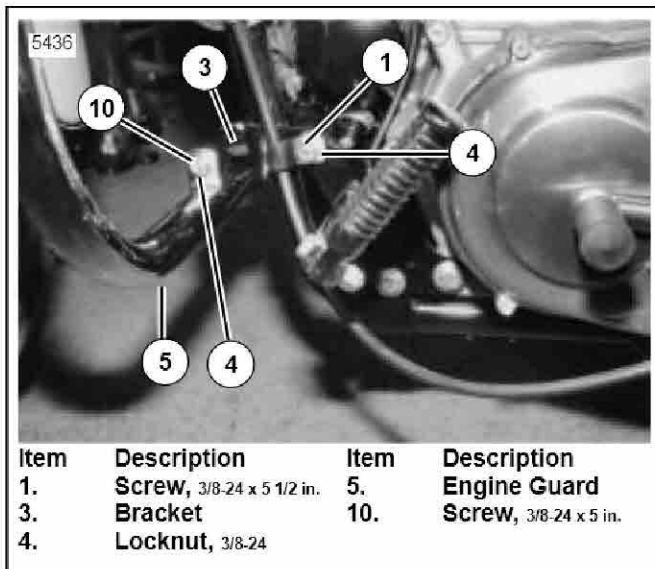


Figure 2. Hardware Positions - Late 1984 and Later Models

5. Place flat washers (6) on screws (7, 8, or 9):
 - Use 5/16-18 x 1-1/2 in. screws (7) and 5/16 in. washers (6) from kit on 1985 and earlier models.
 - Use 3/8-24 x 1-1/4 in. screws (8) and 5/16 in. washers (6) from kit on 1986 through early 1994 models.
 - On late 1994 and later models, reuse the stock 3/8-16 x 1-1/4 in. screws and washers.
 - Use 3/8-16 x 1-3/4 in. screws (9) and 5/16 in. washers (6) from kit on 1996 and later XL 883 models.
6. Insert screws (7, 8, or 9) through upper bracket on engine guard (5) and thread into nut plate.
7. Attach bracket (3) to engine guard (5) using screw (10) and locknut (4).
8. Tighten nut (4) on screw (10) to 33 ft-lbs.
9. Tighten screw (7, 8, or 9) to 19 ft-lbs.
10. Tighten nut (4) on screw (1) to 33 ft-lbs.
11. On 1986 models, remove clutch cable from clutch hand lever and route cable through engine guard. Reinstall cable at hand lever and adjust freeplay according to procedure outlined in the 1986 XLH Service Manual.
12. Turn handlebars fully to the right and left and check for interference of clutch and brake cables from engine guard.

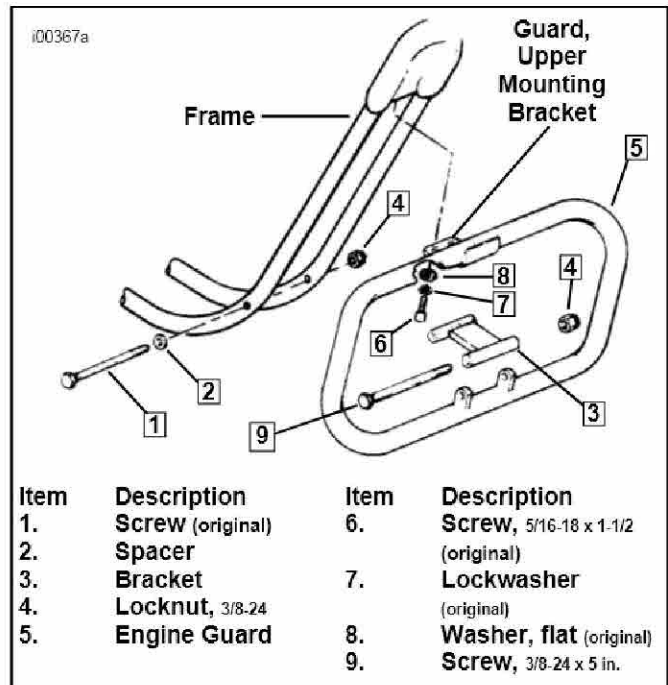


Figure 3. Installation (Generator Models)

Installation - 1982 to Early 1984 XL and XR-1000 Models (Equipped with Generator)

NOTE

Cover front fender with a clean rag to protect it from scratches during installation procedures.

1. See Figure 3. Remove screws (6), lockwashers (7), and flat washers (8) from underside of steering head. Discard original screws (6). Retain washers for reassembly.

Do not remove shim washers between frame and motor bracket.
2. Remove screw (1), spacer (2), and nut (4) at frame downtubes.
3. Attach bracket (3), Part number 49014-85, to engine guard (5) using screw (9) and locknut (4). Tighten screw (9) to 33 ft-lbs.
4. Position engine guard (5) upper mounting bracket under steering head, with bracket (3) aligned with holes in frame downtube. Place original lockwashers (7) and flat washers (8) on screws (6). Insert screws (6) through upper engine guard bracket, through upper engine mount, and thread into tapped holes in steering head.
5. Insert original screw (1) through frame downtubes and bracket (3). Place new locknut (4) on screw (1) and tighten to 33 ft-lbs.
6. Tighten screws (6) to 19 ft-lbs.



Service Parts

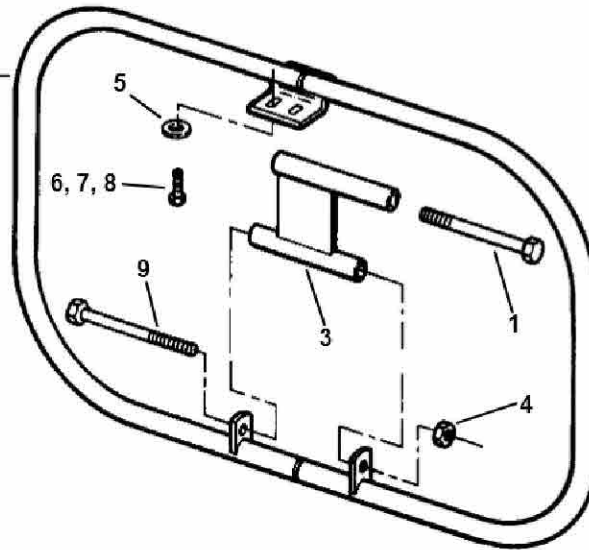
Part No. 49018-88B

Date 10/95

XL Engine Guard Kit

sp49018

Engine Guard



Item	Description	Part No.
1	Screw, 3/8-24 x 5-1/2 in.	4413
2	Washer, 3/8 x 13/16 x 5/32 (Not Shown)	6474
3	Bracket	49014-86
4	Locknut, 3/8-24 x 7/16 x 9/16	7775
5	Washer, 5/16 x 15/16 x 3/16	6336B
6	Screw, 5/16-18 x 1-1/2 in.	4816A
7	Screw, 5/16-24 x 1-1/4 in.	45999-81A
8	Screw, 3/8-16 x 1-3/4 in.	3554
9	Screw, 3/8-24 x 5 in.	4333