



INSTRUCTIONS

-J00154

2005-01-21

REAR FORK KIT

GENERAL

Kit Number

47547-87B

Models

This kit fits is designed for installation of a low suspension kit on the 1987 XLH SPORTSTER® 883 HUGGER™ model, and on all 1988 and later XLH SPORTSTER® models.

Additional Parts Required

▲ WARNING

Rider and passenger safety depend upon the correct installation of this kit. Use the appropriate service manual procedures. If the procedure is not within your capabilities or you do not have the correct tools, have a Harley-Davidson dealer perform the installation. Improper installation of this kit could result in death or serious injury. (00333b)

NOTE

This instruction sheet references Service Manual information. A Service Manual for your model motorcycle is available from a Harley-Davidson Dealer.

Kit Contents

See Figure 3 and Table 1.

The rear fork assembly in this kit is the same design as the original equipment rear fork used on late 1994 XLH Sportster models.

INSTALLATION

1. Remove original rear fork assembly according to appropriate Service Manual procedures. Discard original chain/belt guard front mounting fasteners and original rear fork assembly only; save all other original components and fasteners, which will be reused when installing new rear fork assembly.
2. Install new rear fork assembly (from kit) according to the appropriate Service Manual procedures and the following special instructions:

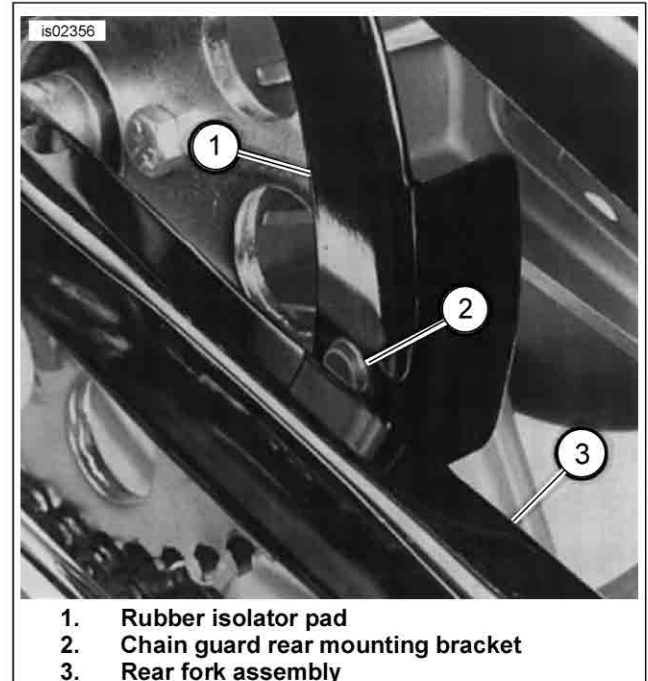


Figure 1. Rubber Isolator Pad - Installed

- See Figure 1. On chain drive models prior to 1991 model year only, rubber isolator pad (1) (from kit) will need to be attached to original chain guard before chain guard is installed onto motorcycle. Thoroughly clean outboard surface of chain guard rear mounting bracket (2) (specifically, the section of the bracket which guards upper front quarter of rear chain sprocket), removing any dirt, grease, or oil. Remove the release paper from adhesive-backed rubber isolator pad. Position and attach adhesive side of pad to chain guard rear mounting bracket, as shown, such that entire outboard surface of pad will bear against inboard surface of rear fork assembly (3) when chain guard is installed.

NOTE

1991 and later XLH Sportster models already have one of two different styles of original equipment rubber isolator pads installed on the chain/belt guard rear mounting bracket; these particular models will not require installation of the pad in this kit.

- See Figure 2. On all models, install chain/belt guard (1) to rear fork assembly (2) such that front mounting bracket of chain/belt guard is positioned against inboard side of front mounting tab on rear fork assembly. Insert hex head bolt with flat washer (both supplied in this kit) through holes in front mounting tab on rear fork assembly and front mounting bracket of chain/belt guard. Install locknut (from kit) on end of bolt; tighten locknut to 19 ft-lbs.

-J00154

Many Harley-Davidson® Parts & Accessories are made of plastics and metals which can be recycled. Please dispose of materials responsibly.

1 / 2

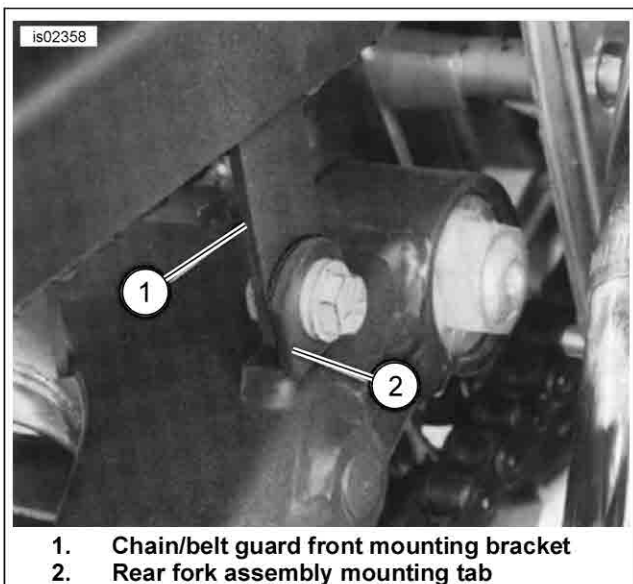


Figure 2. Guard Installation

SERVICE PARTS

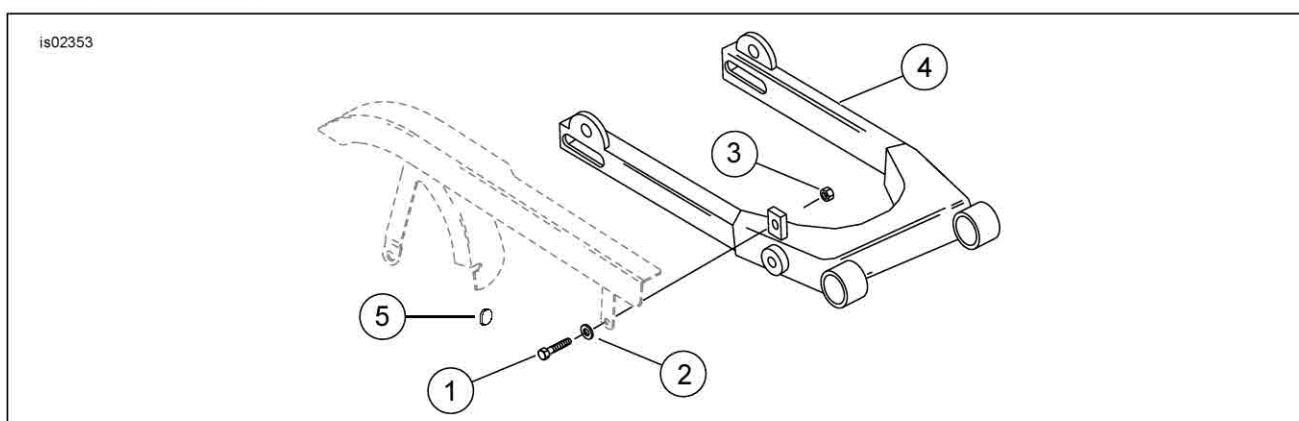


Figure 3. Service Parts: Rear Fork Kit

Table 1. Service Parts: Rear Fork Kit

Item	Description (Quantity)	Part Number
1	Screw, hex cap	3987
2	Washer	6109
3	Locknut	7531
4	Fork assembly, rear	47587-91B
5	Pad	75101-82