



# INSTRUCTIONS

-J00153

REV. 9-1-93

Kit Numbers 47150-91B and 47209-91B

## FRAME ASSEMBLY

### General

This frame assembly is intended for use on 1991 and later XLH models.

These frames are designed and manufactured to use the main wiring harness clips designed for the 1992 frames.

### QTY DESCRIPTION

1 Frame assembly (Includes clips. See Table.)

Frame	Clips
47150-91B - 49 States	10116 (1) 10110 (3)
47150-91B - California	10116 (1) 10108 (1) 10110 (3)
47209-91B - HDI	10116 (1) 10110 (3)

1991 and Later Frames

### Installation

1. See the appropriate Service Manual for all removal, assembly and disassembly procedures.
2. See Figures 1, 2 and 3. Fasten the harness clips on the welded "T" clips in the appropriate frame locations. When you place the wiring harness on the frame, use the clips to hold harness in place.
3. Assemble vehicle as described in appropriate Service Manual.
4. Test ride vehicle after assembly to ensure proper installation and operation.

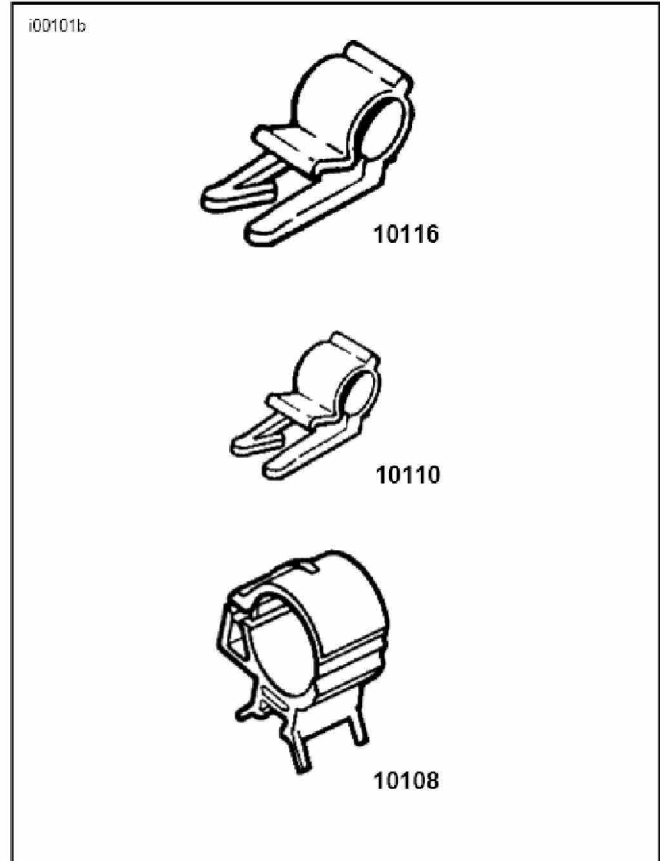


Figure 1. Types of Clips

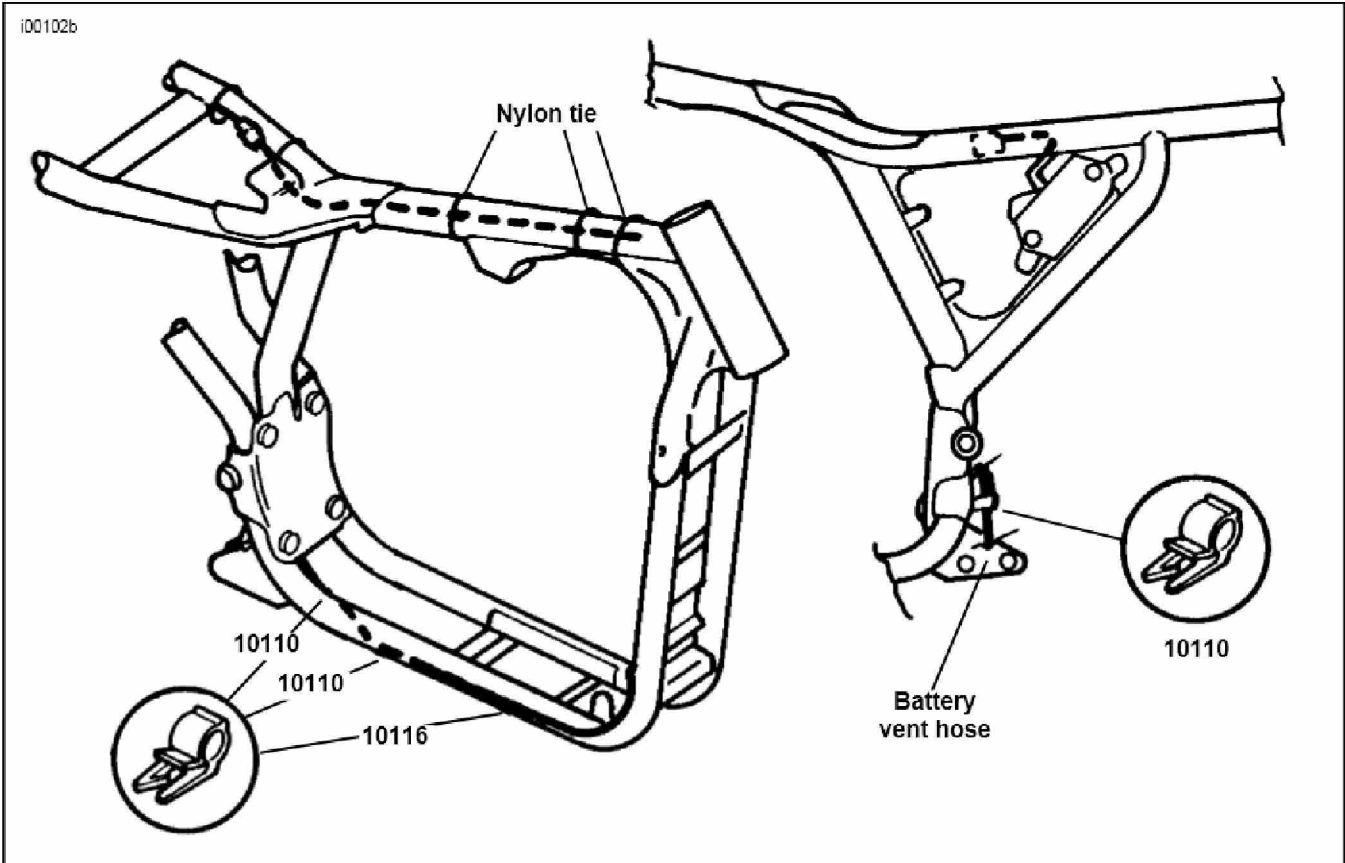


Figure 2. XLH Frame Assembly - 49 States and HDI Models

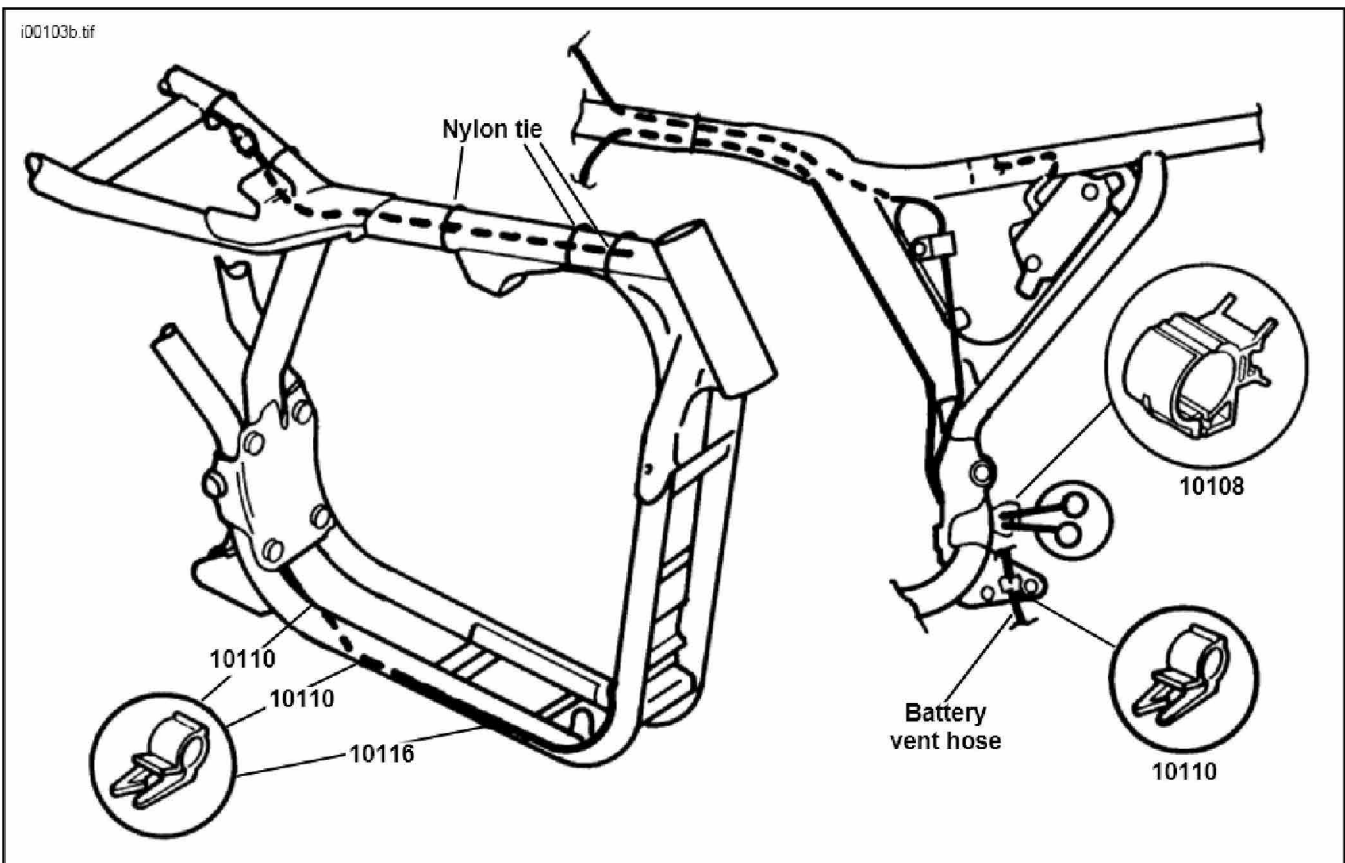


Figure 3. XLH Frame Assembly - California Models