



# INSTRUCTIONS

-J00098

2013-11-01

## ABUTMENT SHIM

### GENERAL

#### Kit Number

41665-82

#### Models

1982 and later XLs, 1982 and later FXRs, 1983 and later FXWG and FXSB, and 1983 FLHS.

#### NOTE

*This instruction sheet references Service Manual information. A Service Manual for your model motorcycle is required for this installation and is available from a Harley-Davidson Dealer.*

#### NOTE

*Abutment shims normally do not need to be replaced, but they must be replaced if lost or damaged.*

#### ▲ WARNING

Rider and passenger safety depend upon the correct installation of this kit. Use the appropriate service manual procedures. If the procedure is not within your capabilities or you do not have the correct tools, have a Harley-Davidson dealer perform the installation. Improper installation of this kit could result in death or serious injury. (00333b)

### INSTALLATION

1. See the service manual. Remove the rear brake caliper and pads.
2. See Figure 1. The stainless steel abutment shims (2) are located on the rear caliper mounting bracket in the area where the brake pads are contained. ( Figure 1 shows the bracket used on the FXWG, FXSB and FLHS; the other brackets are similar.)
3. Remove all the existing adhesive from the mounting bracket surface where the abutment shim is located (1). The surface should be scraped with a knife and, if required, lightly sanded with fine emery cloth.
4. Clean the surface scraped and sanded in Step 3 above with denatured alcohol.
5. Apply a silicone sealant to the bracket surface and install the abutment shim. To hold the shims in position, install the brake pads in the bracket.
6. Allow the silicone sealant to dry.
7. Check that the brake pads slide freely in the bracket.
8. See the service manual. Install brake pads and caliper.

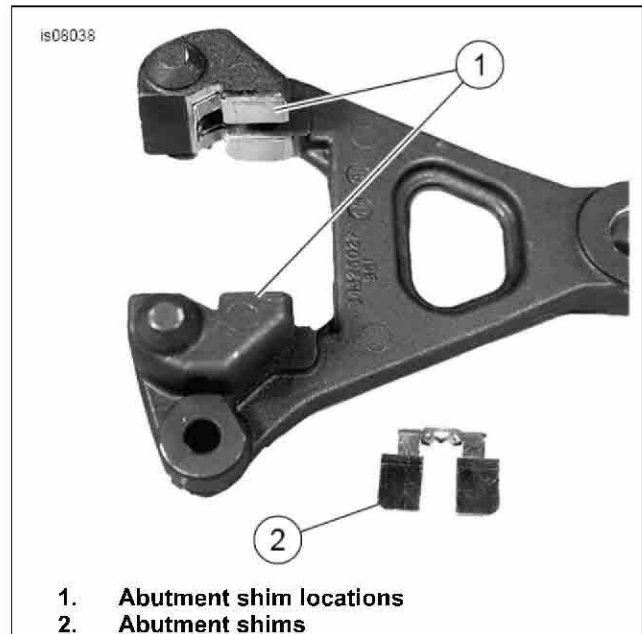


Figure 1. Location of Abutment Shims