



INSTRUCTIONS

-J00094

REV. 07-19-2004

Kit Numbers 41017-95 and 41026-95

CHROME REAR WHEEL KIT

General

These kits are designed to fit:

Year	Model
1986 - 1999	... XL models
1986 - 1999	... Softail models
1991 - 1999	... FXD models
1986 - 1994	... FXR

This instruction sheet is applicable to the following kits:

41017-95	... Chrome slotted 16 in. rear wheel
41026-95	... Chrome Fat Boy 16 in. rear wheel

See the Service Parts Illustration for a list of kit contents:

WARNING

The rider's safety depends upon the correct installation of this kit. Use the appropriate Service Manual procedures. If the procedure is not within your capabilities or you do not have the correct tools, have a Harley-Davidson dealer perform the installation. Improper installation of this kit could result in death or serious injury. (00333a)

NOTE

A Service manual for your vehicle is available from your Harley-Davidson Dealer.

Installation

CAUTION

Do not re-use brake disc screws. New screws are provided for disc installation. Re-using original disc screws can result in torque loss and damage to rotor and/ or brake assembly. (00319a)

Refer to the appropriate Service Manual for wheel removal and installation procedures.

See Service Parts Illustration. This kit contains the necessary parts for wheel installation, however there are parts you should retain, during your Original Equipment wheel removal procedure.

NOTE

The cotter pin or spring clip for the axle nut must be replaced. They are available for purchase from your dealer. See your dealer for the correct part number for your model motorcycle.

The following Original Equipment parts will be reused when you install your new chrome rear wheel:

- Axle
- Axle nut
- Brake disc and related fastening hardware
- Drive pulley and related fastening hardware

NOTE

Apply two drops of LOCTITE THREADLOCKER 262 (red) to each of the five sprocket mounting screws. Follow the bolt torque procedure in your service manual or, if installing an accessory hardware kit, in the instruction-sheet included with the hardware kit.

Maintenance and Cleaning

Chrome parts must be maintained regularly to ensure that they keep their original shine and luster.

1. Thoroughly clean chrome with a good quality chrome cleaner, such as S-100 Special Performance Wheel Cleaner®, Part Number 99775-89T.
2. After cleaning and polishing, seal the finish with a good quality sealer such as Harley Glaze Polish and Cleaner®, Part Number 99701-84.

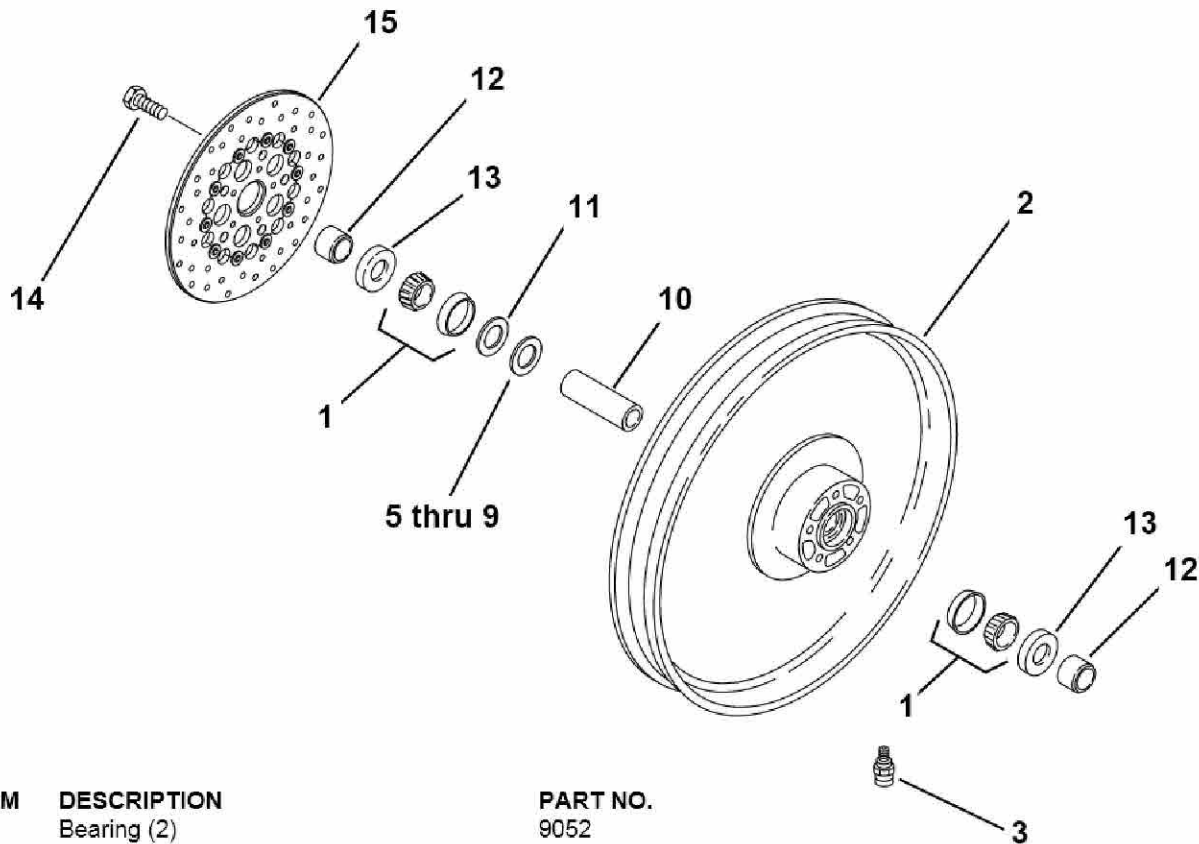


Service Parts

Part No. 41017-95,41026-95 | Date 07/04

Chrome Rear Wheel Kit

sp41017



ITEM	DESCRIPTION	PART NO.
1	Bearing (2)	9052
2	Wheel, Chrome Fat Boy	Not sold separately
	Wheel, Chrome slotted	Not sold separately
3	Valve stem assembly	43157-83A
4	Label, rim (not shown)	43251-80A
5	Spacer, 0.032 in. thick	43290-82
6	Spacer, 0.016 in. thick	43291-82
7	Spacer, 0.008 in. thick	43292-82
8	Spacer, 0.004 in. thick	43293-82
9	Spacer, 0.002 in. thick	43294-82
10	Spacer, bearing	43608-82
11	Washer, spacer	43650-82
12	Spacer, wheel (2)	43654-86A
13	Seal, oil (2)	47519-83A
14	Original Equipment screws	Reference only
15	Original Equipment brake disc	Reference only