



INSTRUCTIONS

-J00055

1996-02-01

AIR FILTER ELEMENT KIT

GENERAL

Kit Number

29325-95A

Models

This kit is designed for installation on all 1995 and later 1340 and XLH HDI model vehicles.

Kit Contents

See Figure 1 and Table 1.

NOTE

Two loose-packaged plastic sealing plugs are included in this Air Filter Element Kit.

Additional Parts Required

▲ WARNING

Rider and passenger safety depend upon the correct installation of this kit. Use the appropriate service manual procedures. If the procedure is not within your capabilities or you do not have the correct tools, have a Harley-Davidson dealer perform the installation. Improper installation of this kit could result in death or serious injury. (00333b)

NOTE

This instruction sheet references Service Manual information. A Service Manual for your model motorcycle is required for this installation and is available from a Harley-Davidson Dealer.

INSTALLATION

See the appropriate Service Manual for disassembly and installation procedures. **In addition:**

For XLH models. Install one of the plugs (1) in the center threaded hole of the element's outer plate. Leave the right and left threaded holes open to accept the air cleaner cover mounting screws.

For 1340cc models. Install both plugs (1) in the right and left threaded holes of the element's outer plate. Leave the center threaded hole open to accept the air cleaner cover mounting screw.

For all models. When installing the filter element, place nylon washers (3) included in this kit under the screws that hold the filter element in place.

SERVICE PARTS

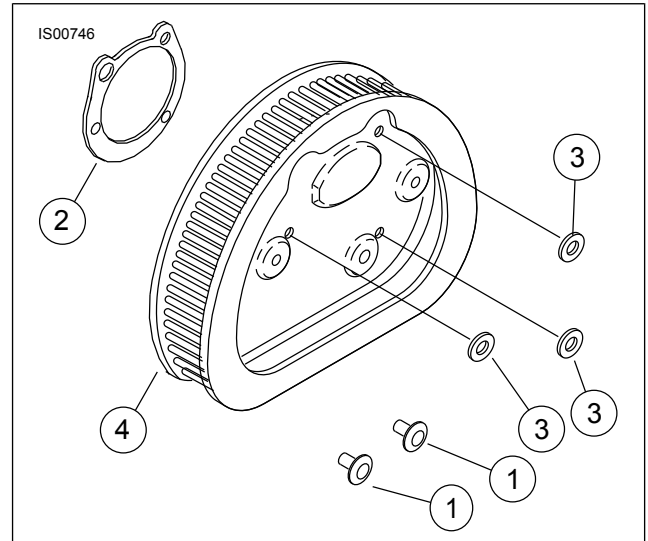


Figure 1. Service Parts: Air Filter Element Kit

Table 1. Service Parts: Air Filter Element Kit

Item	Description (Quantity)	Part Number
1	Plug, sealing (2)	24925-95
2	Gasket, filter element	29313-95
3	Washer, nylon (3)	6410
4	Element, air filter	Not sold separately