



# TT466: UPDATED OIL PUMP FOR MILWAUKEE-EIGHT ENGINES

2019-12-09



Engine

APPLIES TO	SYMPTOMS
Milwaukee-Eight® engines	• Oil Flow or Oil Pump

## Reason for Revision

Refer to Table 1.

**Table 1. Document History**

Date	Revision Description
2019-08-20	Initial release
2019-12-06	10 lobes gerotor to 8 lobes
	* Updated Reason for Technical Tip Bulletin : Figure 2

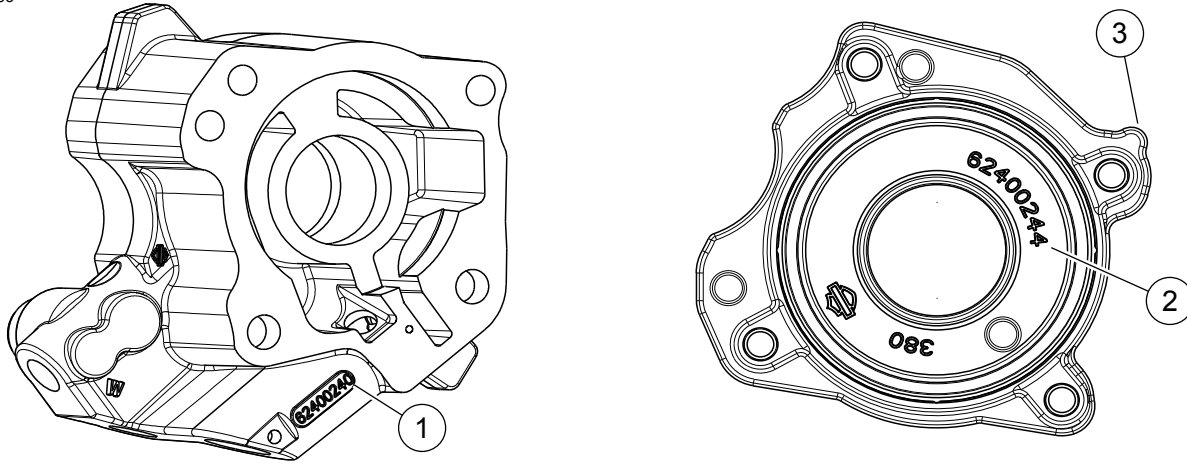
## Reason for Technical Tip Bulletin

To notify dealers that a **new** oil pump was put into production on some late 2019 and all 2020 Milwaukee-Eight® engines, all models.

See Figure 2. The **new** oil pumps are retrofittable to all previous years and models that have the Milwaukee-Eight engine. If replacing the oil pump on 2017 - 2019 vehicle with a Milwaukee-Eight engine and pump should only be install as a complete unit. It is important to note that the **new** oil pumps, or their internal components, are not compatible with old oil pump versions.

The 2020 oil pumps are identifiable by the following:

1. See Figure 1. The oil pump cover has an identifying tang (3) on the cover housing near the front lower bolt hole.
2. The return gerotor has an updated 8 lobes, compared to the previous version that had a 10 lobe design.
3. **New** part numbers and casting numbers (on the pump housing oil return pick-up (1) and the casting number on the pump cover (2)) can be seen in Table 2.



- 1. Housing casting number
- 2. Cover casting number

- 3. Identifying tang

**Figure 1. Oil Pump Casting Number Location**

**Table 2. New Pump Numbers**

Item Description	Part No.	Casting No.
Oil Pump Assy, Oil	62400247 <sup>(1)</sup>	62400236
Oil Pump Assy, Water	62400248 <sup>(1)</sup>	62400240
Oil Pump Cover Assy	62400245	62400244

*(1) When ordering oil pump assembly (Part No. 62400247 or 62400248) the oil pump cover comes as part of the assembly.*

1376722

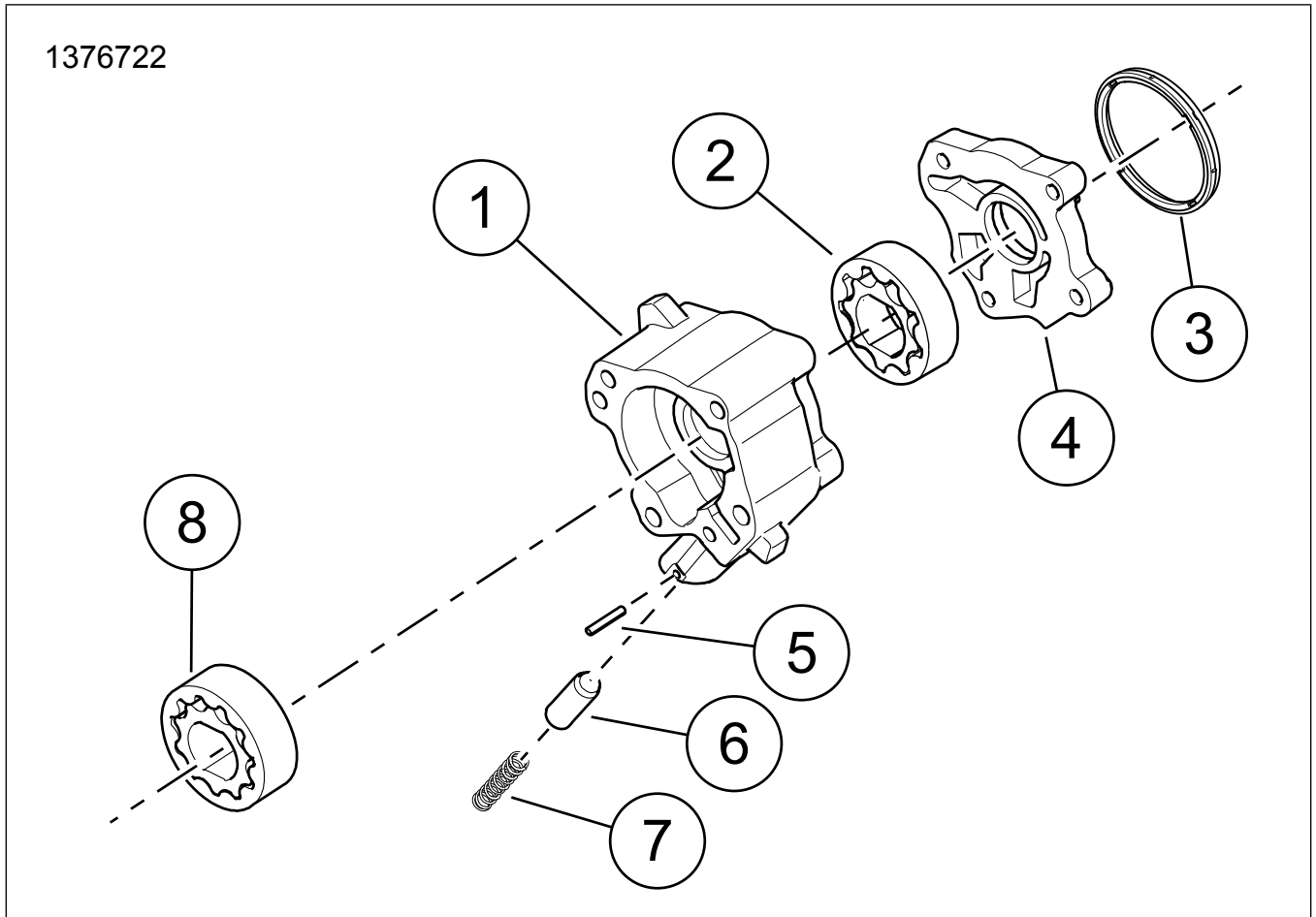


Figure 2. New Oil Pump Kits

Table 3. New Oil Pump Kits

Kit Part No.	Assembly Description	Index No.	Part Description	Part No.
62400247 - Oil 62400248 - Water	Oil Pump Assembly	1	Pump housing - oil (includes index no. 2, 5, 6, 7)	62400238
		1	Pump housing - water (includes index no. 2, 5, 6, 7)	62400242
		2	Gerotor	62400233
		3	Seal	62400205
		4	Cover (includes index no. 3)	62400245
		5	Roll pin	601
		6	Relief valve	26400-82B
		7	Spring	26210-99
		8	Gerotor, feed - oil	62400126
8	Gerotor, feed - water	62400055		

## Resolution

See Figure 2. When ordering a oil pump's individual components the old part numbers will be obsoleted and superseded to the **new** part number. Only the 2020 oil pump can be ordered as a complete replacement kit. Refer to Table 3.