



# TT449: V-ROD REAR BRAKE LINE POSITION CHECK

December 2, 2015



APPLIES TO	SYMPTOMS
All V-Rod Models with Anti-lock Brake System (ABS)	• Part Availability, Installation or Fitment Updates

## Issue

During a service event, if the rear brake line routing is disturbed from the original factory installed routing, it may come in contact with the exhaust.

## Resolution

See Figure 1 and Figure 2. When a V-Rod with ABS is being serviced, check the rear brake line for correct routing. If the routing needs to be corrected, see the ABS BRAKE LINES section in a 2012 or later Service Manual.

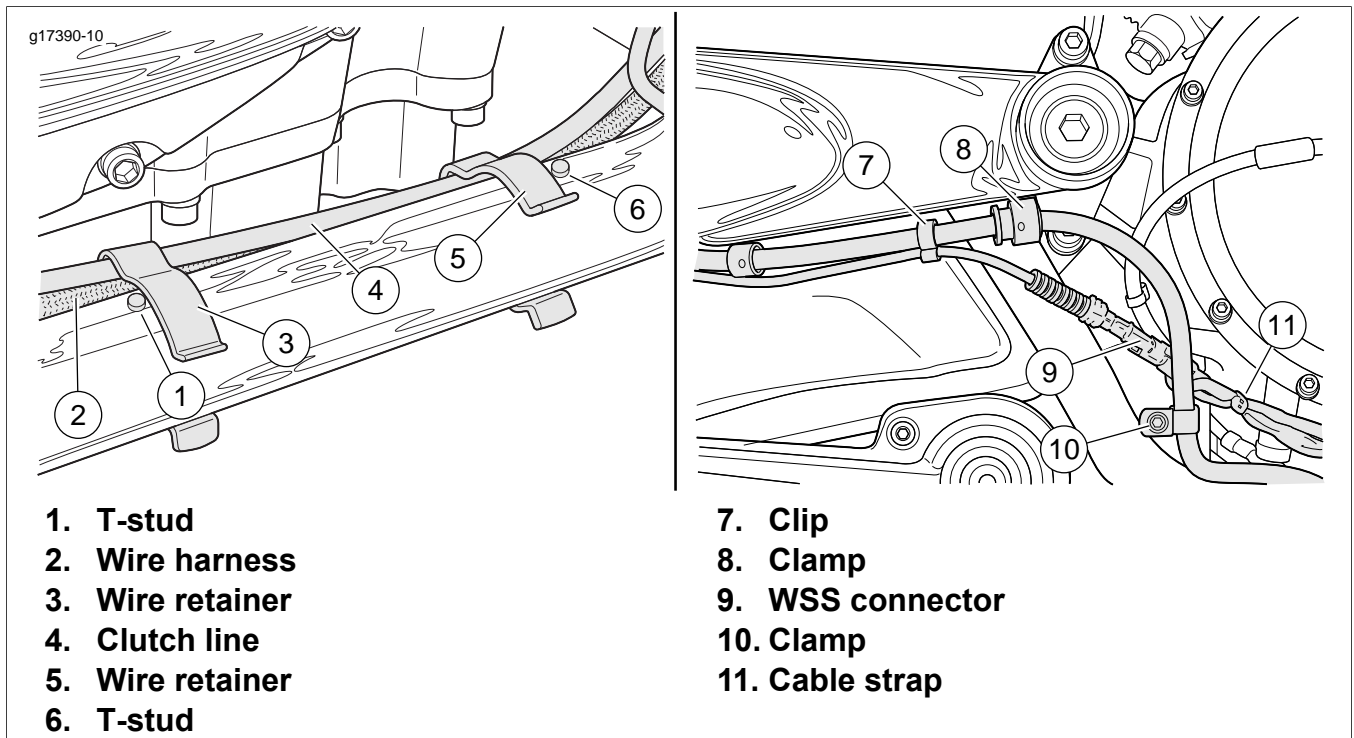
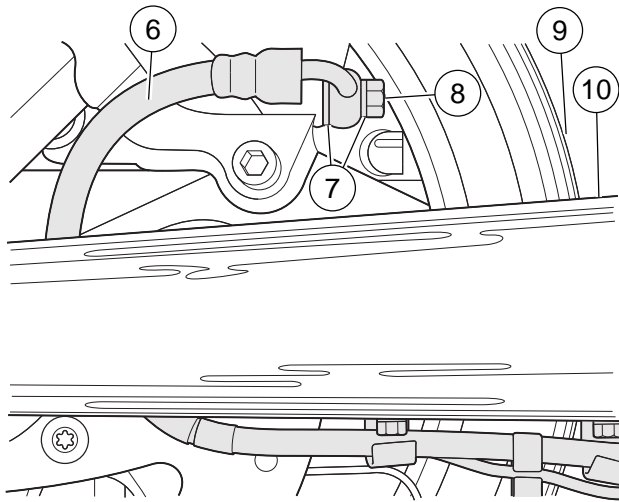
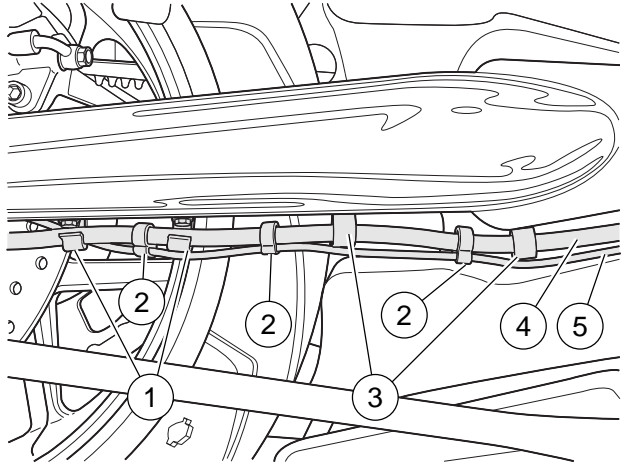


Figure 1. Brake Line Routing



- 1. Clamp (outward facing)
- 2. Clip
- 3. Clamp (inward facing)
- 4. Brake line
- 5. Wiring

- 6. Rear brake caliper brake line
- 7. Sealing washer (2)
- 8. Banjo bolt
- 9. Rear tire
- 10. Rear fork

Figure 2. Brake Line Routing