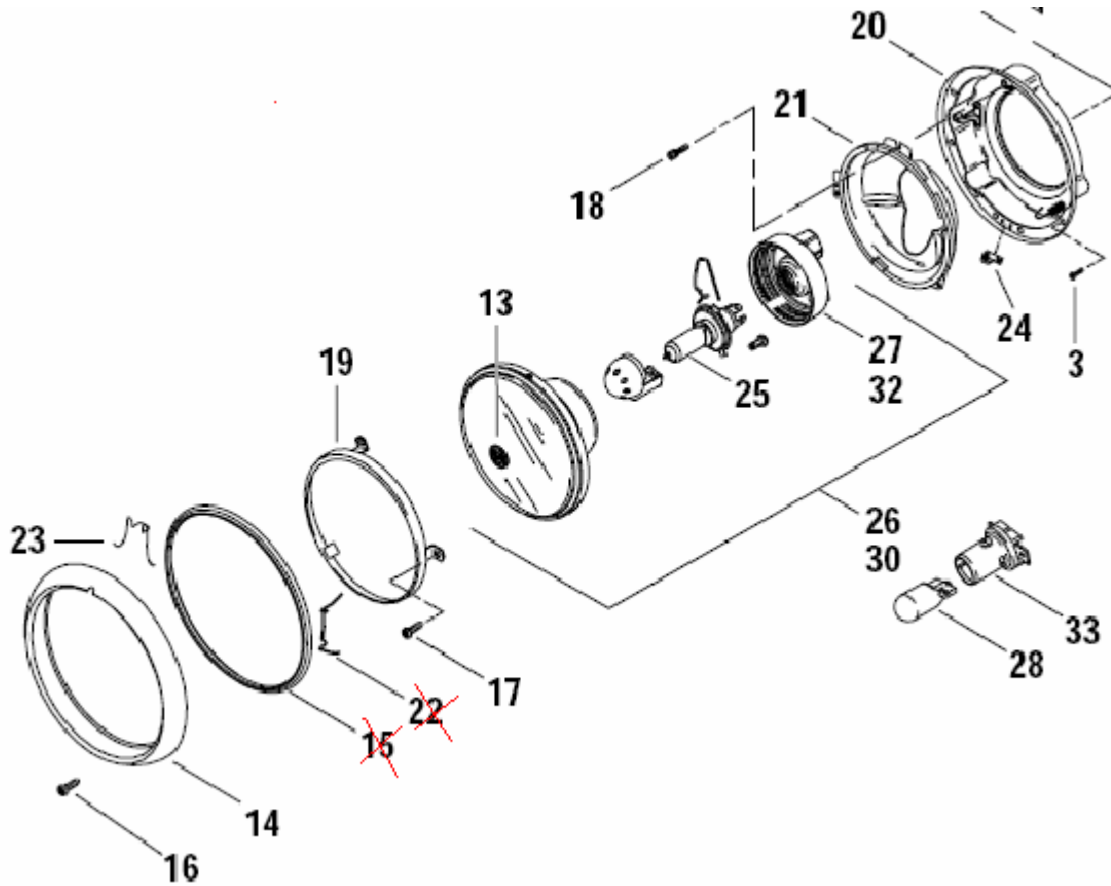


### TOURING HEADLAMP RUBBER GASKET CHANGE

In mid-August 2007 there was a running change that commonized the two different headlamp assemblies on FLHT (Electra Glide) and FLHR (Road King) model motorcycles.

**Item 15 in the diagram below will no longer be used** on fairing models, along with 2 retaining clips, Item 22



One other less visible change also took place due to a supplier change for the headlamp assembly used in production. The retaining ring, Item 19 above, will appear to protrude a bit more and it will have a duller finish than the older version.