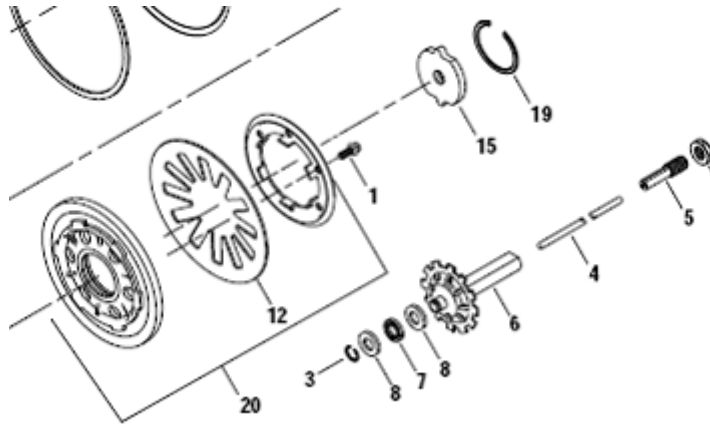


### 2007 Big Twin Clutch Release Plates

Between January and July of 2007 some Twin Cam Models were assembled with a Clutch Release Plate, (p/n 37903-90) that could have the adjuster screw threads not machined perpendicular to the plate. This would cause the adjuster screw (item 5) to not sit square in the Release Plate (item 15).



If the adjuster screw was held straight as the release plate was installed in the pressure plate, it could cause the release plate to be cocked, and the retaining ring may not be fully seated in its groove all the way around. However, if the plate and snap-ring are installed correctly the adjuster screw may not be contacting the push rod properly.

These conditions may result in difficulty adjusting the clutch release or a dragging clutch. If you experience either, please look carefully at the adjuster & release plate assembly for the condition shown below:

