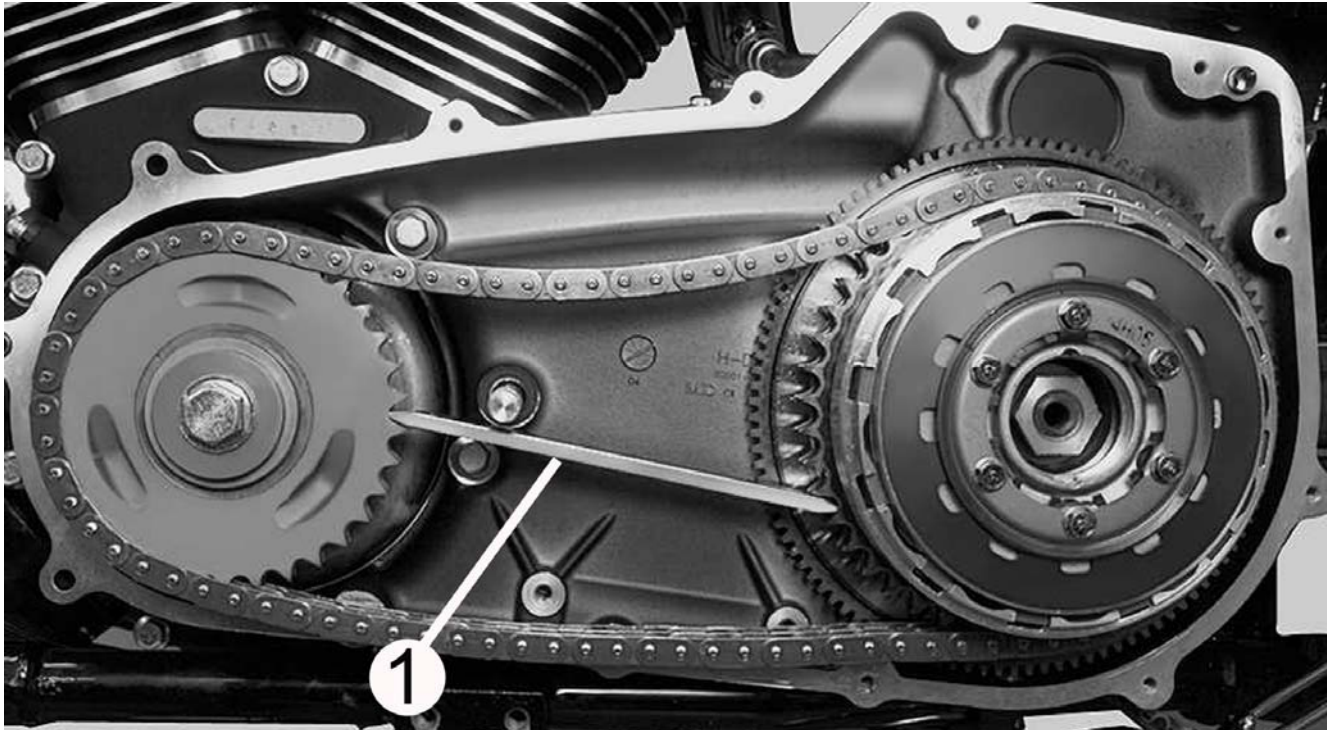


2006 Dyna Model Primary Drive Locking Tool

When servicing the primary drive system on a 2006 Dyna Model it is imperative that you use the Primary Drive Locking Tool (HD-47977) as shown in the Service Manual. Do not use the “Wedge Type” Primary Drive Locking Tool (HD-41214) on this model! Using the “wedge type” tool may cause the inner primary housing to move and not be in-line with the transmission housing since there are no longer dowel pins between the two surfaces.

Correct tool



1. Primary Drive Locking Tool (HD-47977)

Do Not Use the tool below

