

Table of Contents

IH: Electrical System 3

Ironhead - Stock Wiring Schematic Drawings (created with reference to the OEM manual)

..... 3

. 3

1959-1962 Sportster CH 3

1959-1964 Sportster H 4

1963-1964 Sportster CH 5

1965 Sportster CH 6

1965-1966 Sportster H 7

1966 Sportster CH 8

1967 Sportster H 9

1967-E1969 Sportster CH 10

1968-E1969 Sportster H 11

L1969 Sportster H 12

L1969 Sportster CH 13

. 14

1970-1971 Sportster XLH 14

1970-1971 Sportster XLCH 15

1972 Sportster XLH - Standard Seat 16

1972 Sportster XLH - Low Seat 17

1972 Sportster XLCH - Standard Seat 18

1972 Sportster XLCH - Low Seat 19

1973-1974 Sportster XL 20

1973-1974 Sportster XLCH 21

1975-1976 Sportster XL 22

1975-1976 Sportster XLCH 23

1977 Sportster XL 24

1977 Sportster XLCH 25

1978 Sportster XL 26

1978 Sportster XLCH 27

1979 Sportster XLH/XLS 28

1979 Sportster XLCH 29

. 30

1980 Sportster XLH/XLS 30

1981 Sportster XLH/XLS 31

1982 Sportster XLH/XLS 32

1983-E1984 Sportster XLH 33

1983-E1984 Sportster XLS 34

1983-E1984 Sportster XLX 35

1983-1984 Sportster XR-1000 36

L1984-1985 Sportster XLH 37

L1984-1985 Sportster XLS 38

L1984-1985 Sportster XLX 39

L1984-1985 Wiring Issue - Might Be Dangerous 40

[Go To Technical Menu](#)

IH: Electrical System

* The REFERENCE Section has simplified wiring diagrams for custom rewiring.

For L84-85 models, be sure to check the warning of a potential danger at the bottom of this page.

Ironhead - Stock Wiring Schematic Drawings (created with reference to the OEM manual)

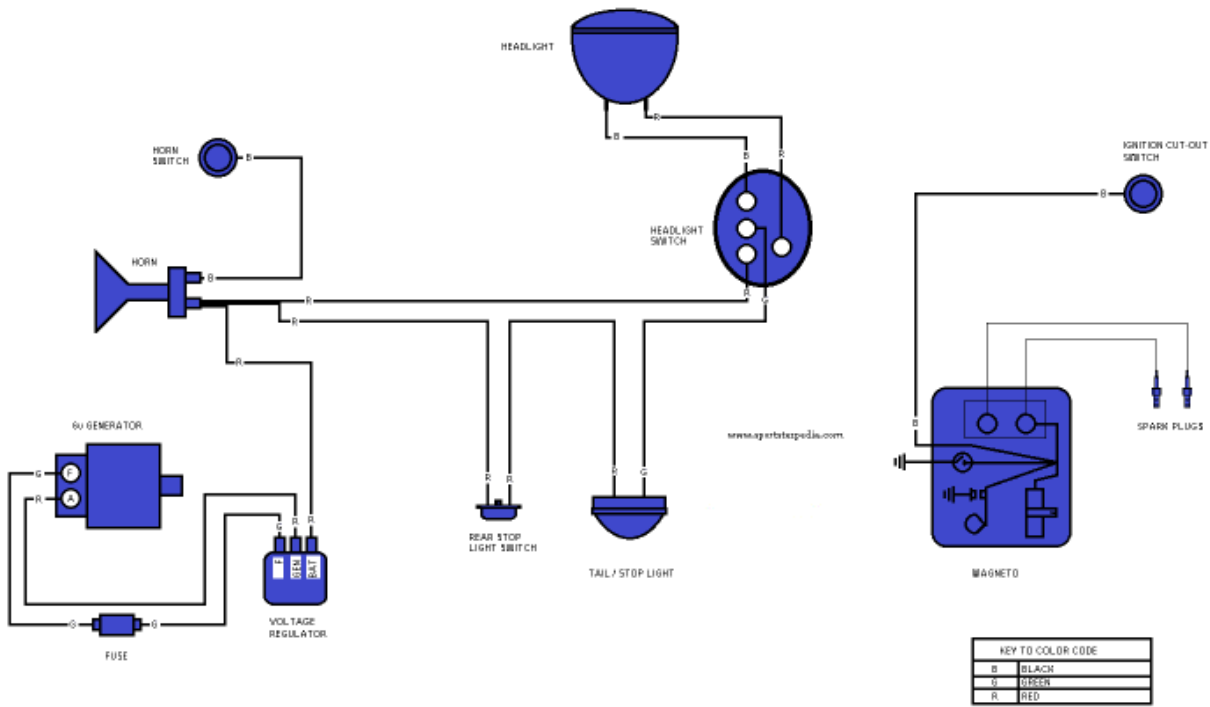
1959-1985 Sportster Main Wiring Diagrams

The drawings below have been created using the factory schematic drawings from the FSMs as reference. They are available here but are not intended to replace the factory drawings. Some parts symbols are generic, may not represent the actual period parts and have been spread out for clarity from the originals. However, the parts are labeled. The drawings are not to scale and parts and wiring are positioned on the drawings for clarity.

▪

1959-1962 Sportster CH

[Click on the drawing to enlarge:](#)



1959-1962 SPORTSTER CH

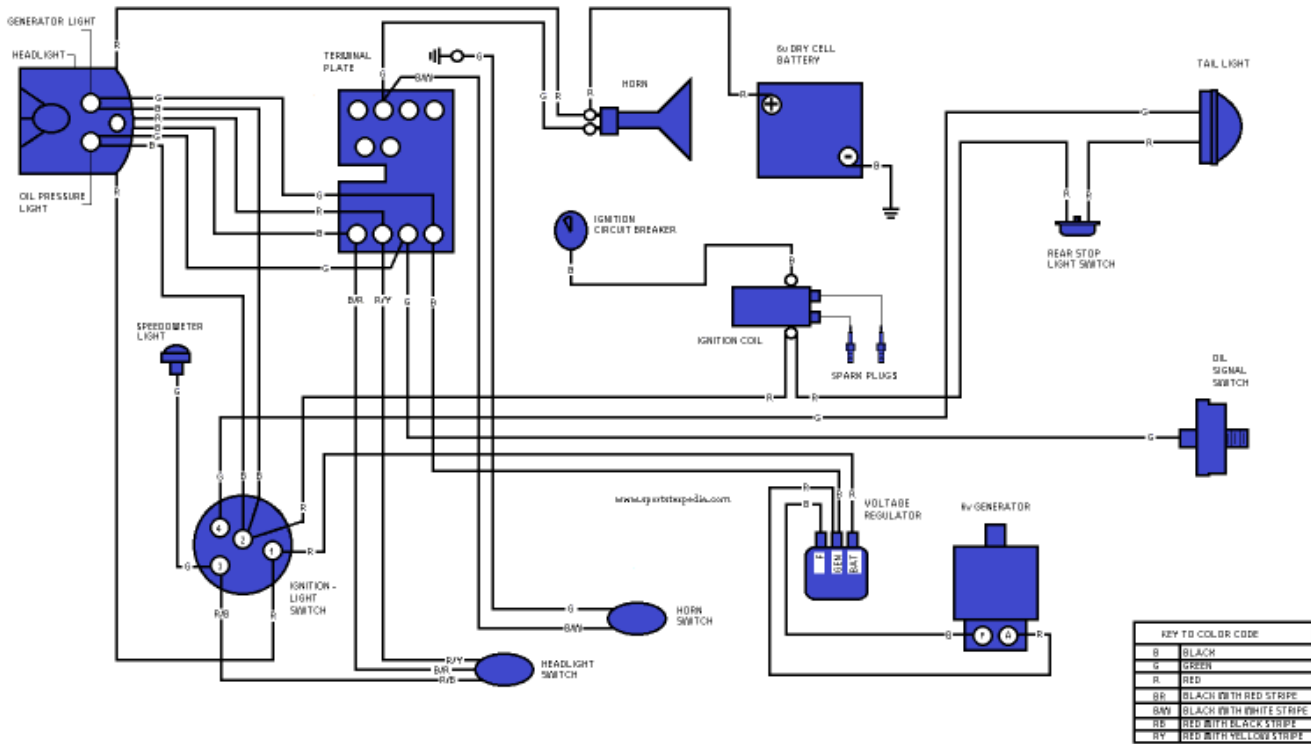
(created in reference to the 1957-1969 HD XL9LHWLCH-900 service manual)

6v SYSTEM WIRING DIAGRAM

1)

1959-1964 Sportster H

Click on the drawing to enlarge:



1959-1964 SPORTSTER H

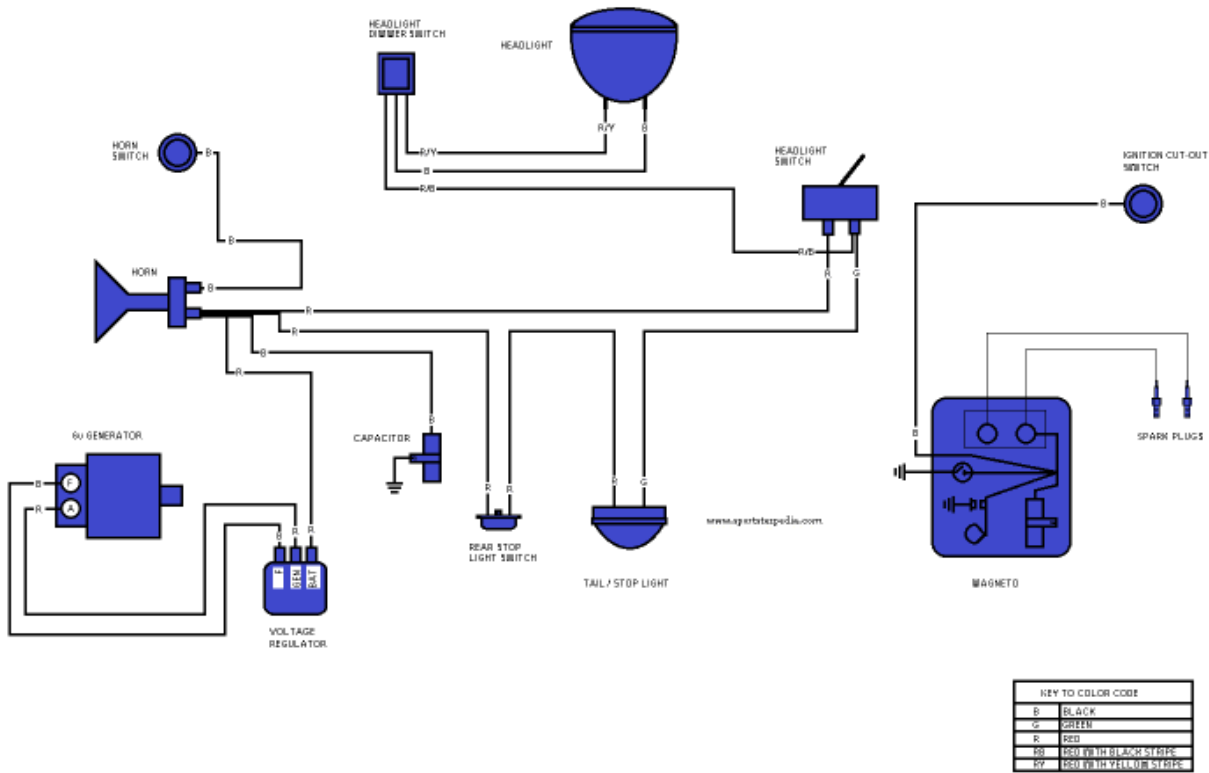
(created in reference to the 1957-1969 HD XL9LH9LCH-900 service manual)

6v SYSTEM WIRING DIAGRAM

2)

1963-1964 Sportster CH

Click on the drawing to enlarge:



1963-1964 SPORTSTER CH

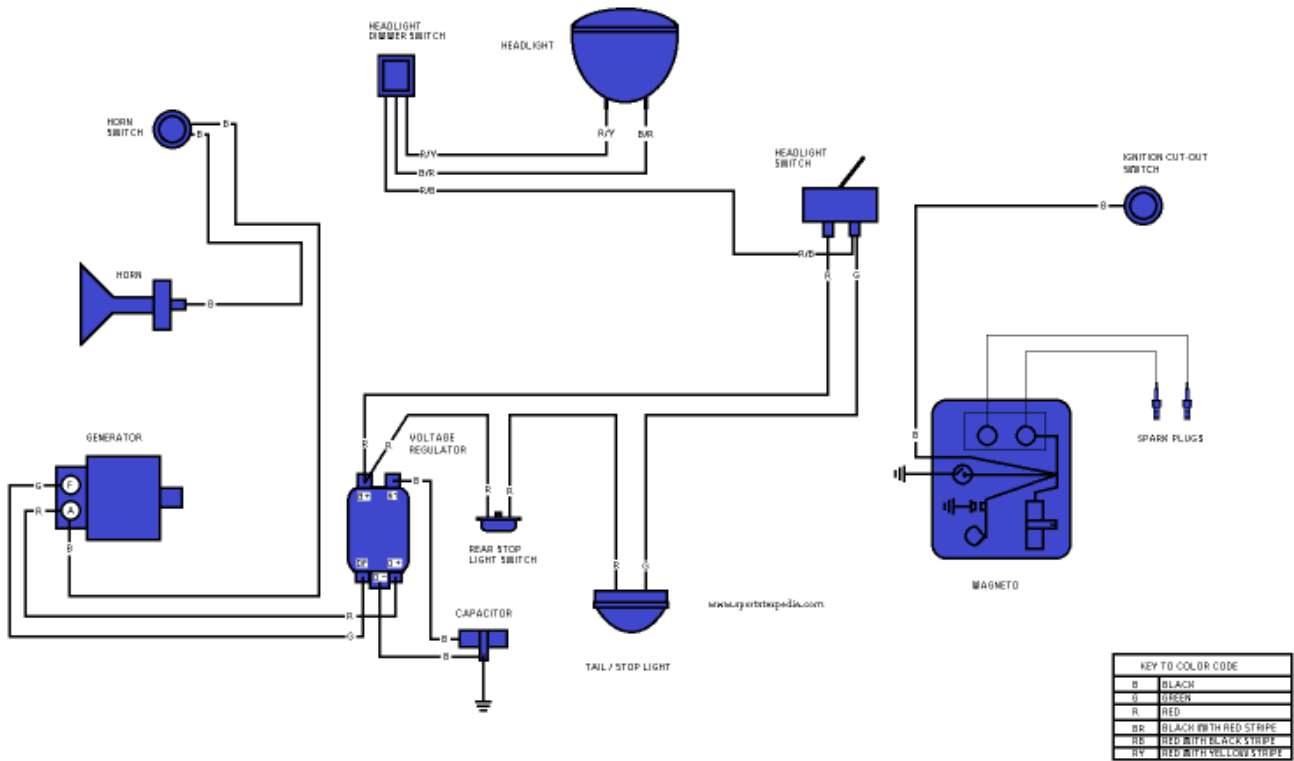
(created in reference to the 1957-1969 HD XL/9L/9N/9LCH-900 service manual)

6v SYSTEM WIRING DIAGRAM

3)

1965 Sportster CH

Click on the drawing to enlarge:



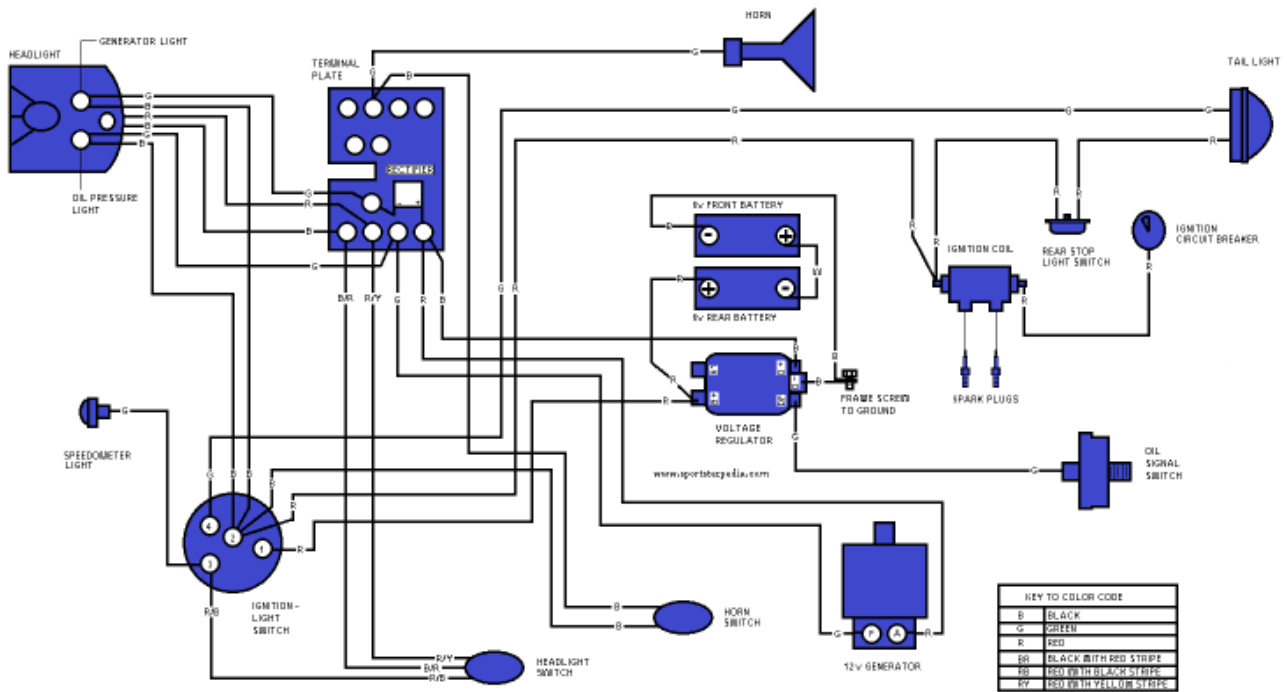
1965 SPORTSTER CH
(created in reference to the 1957-1968 HD XL/KL/KLCH-888 service manual)

**12v SYSTEM
 WIRING DIAGRAM**

4)

1965-1966 Sportster H

Click on the drawing to enlarge:



1965-1966 SPORTSTER H

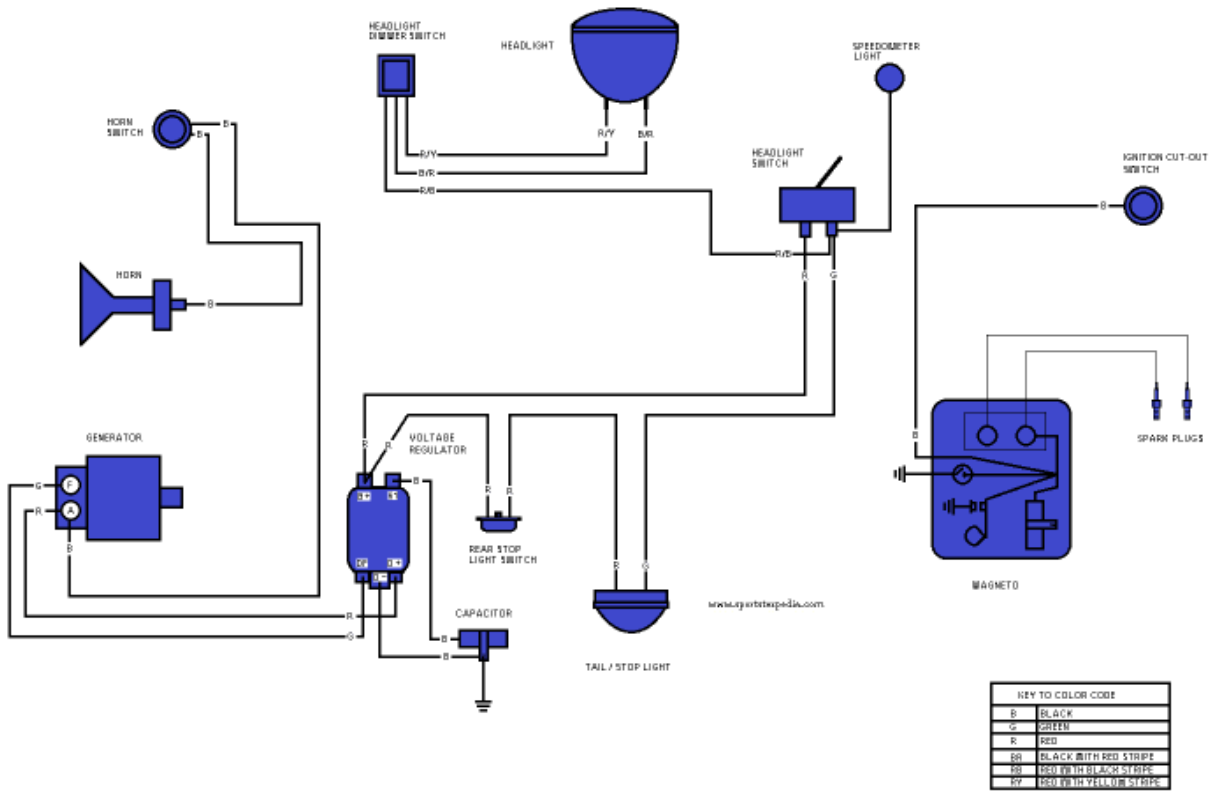
(created in reference to the 1957-1969 HD XL9LH9LCH-900 service manual)

12v SYSTEM WIRING DIAGRAM

5)

1966 Sportster CH

Click on the drawing to enlarge:



1966 SPORTSTER CH

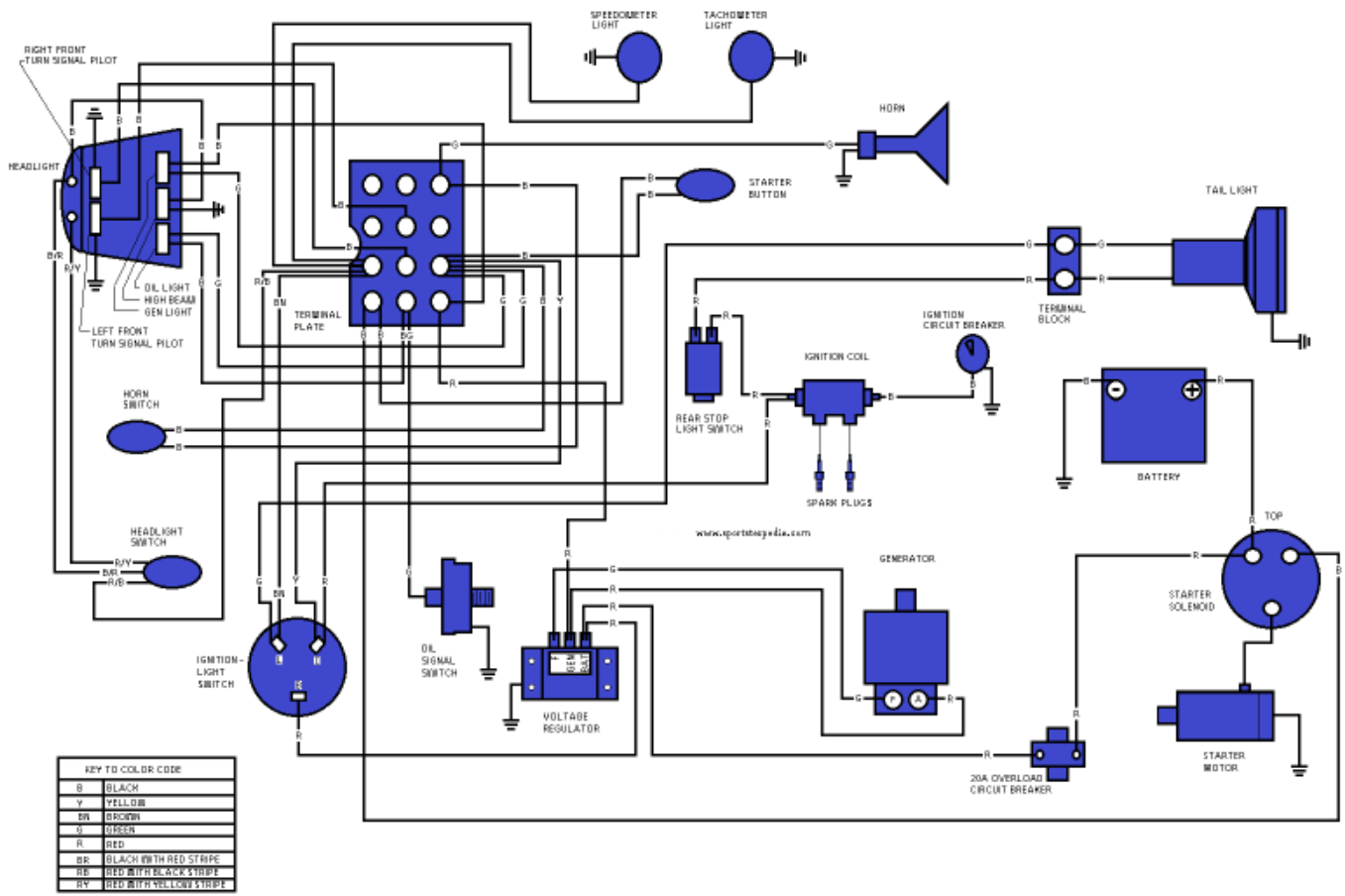
(created in reference to the 1957-1969 HD XL9LHXLCH-900 service manual.)

WIRING DIAGRAM

6)

1967 Sportster H

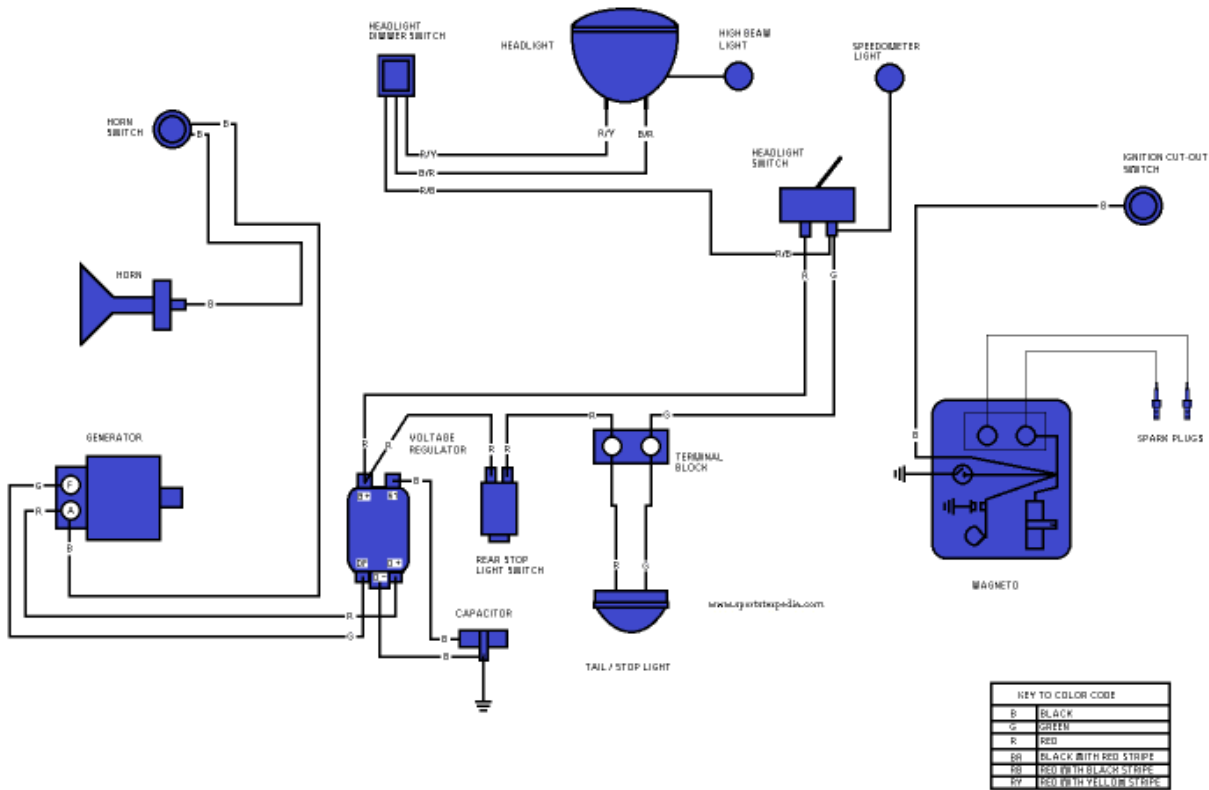
Click on the drawing to enlarge:



7)

1967-E1969 Sportster CH

Click on the drawing to enlarge:



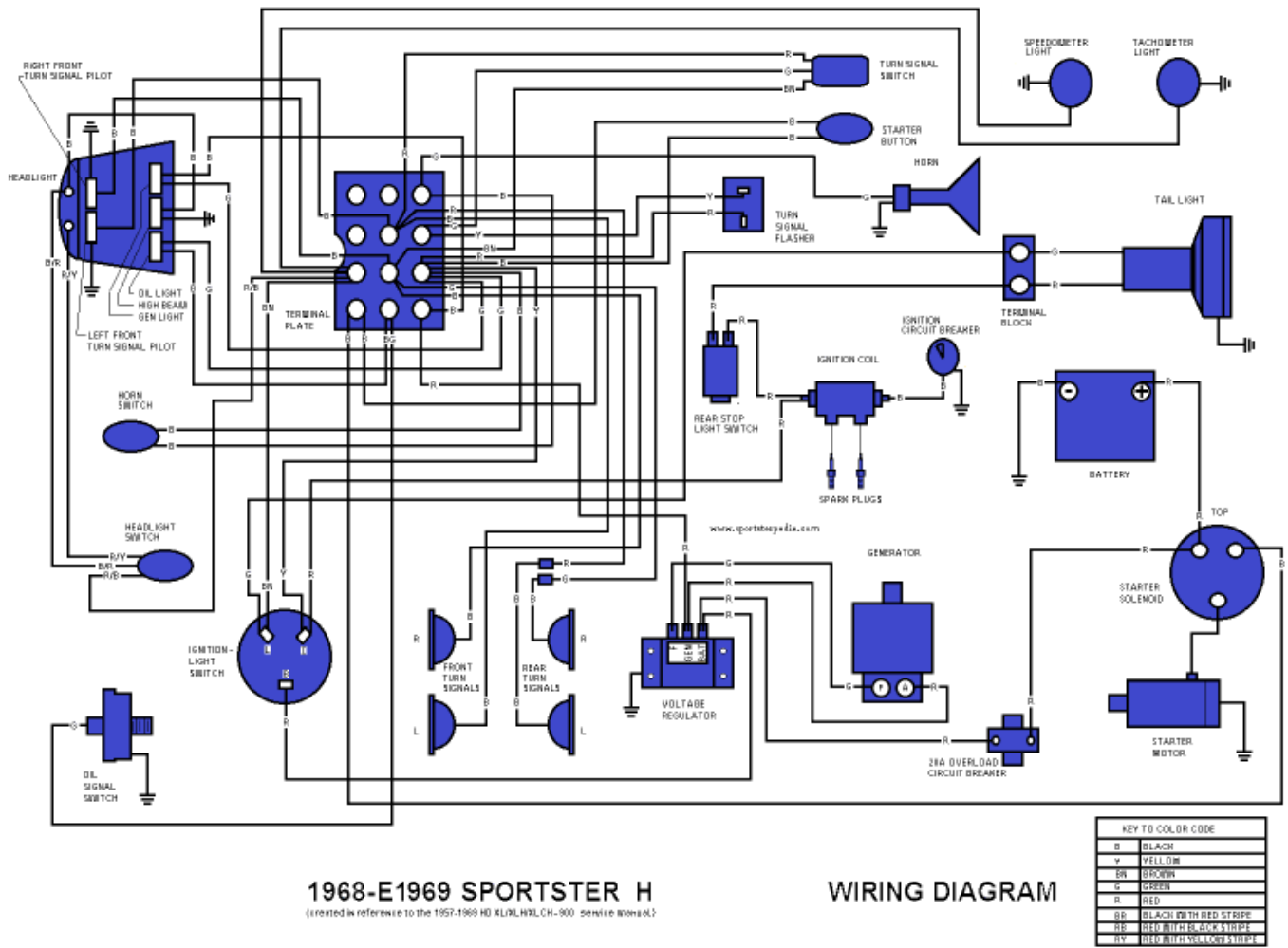
1967-E1969 SPORTSTER CH
(created in reference to the 1957-1988 HD XL/XLH/XLCH-888 service manual)

WIRING DIAGRAM

8)

1968-E1969 Sportster H

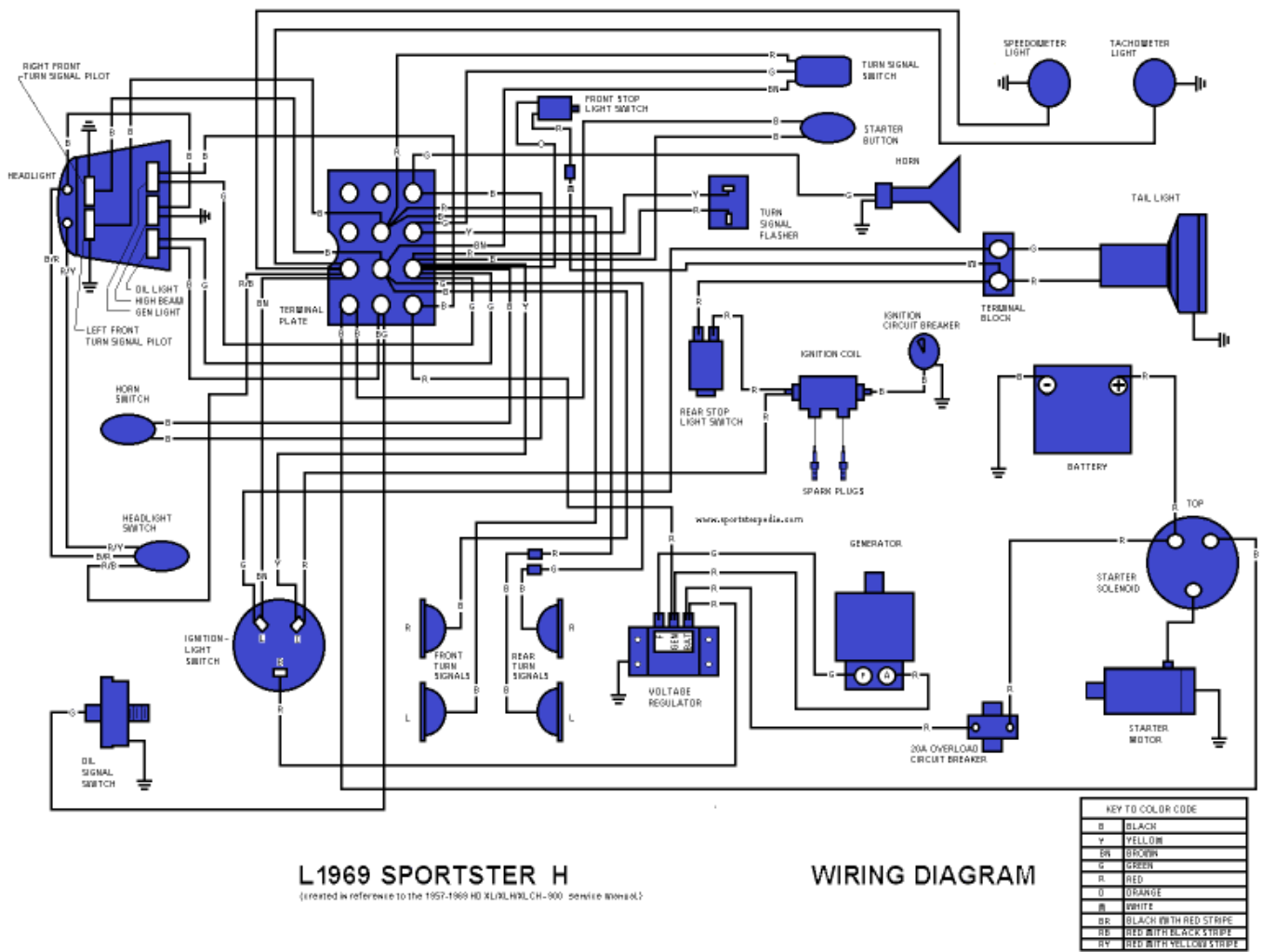
Click on the drawing to enlarge:



9)

L1969 Sportster H

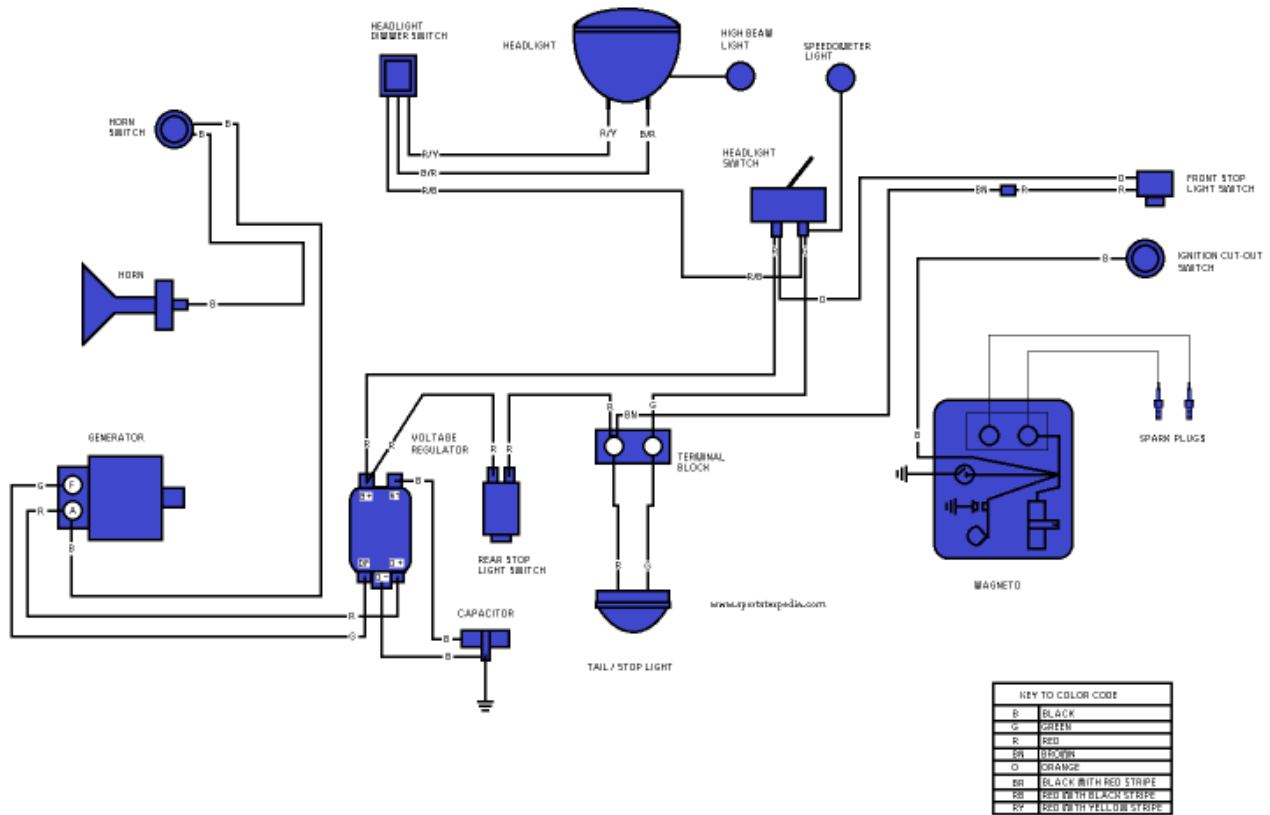
Click on the drawing to enlarge:



10)

L1969 Sportster CH

Click on the drawing to enlarge:



L1969 SPORTSTER CH

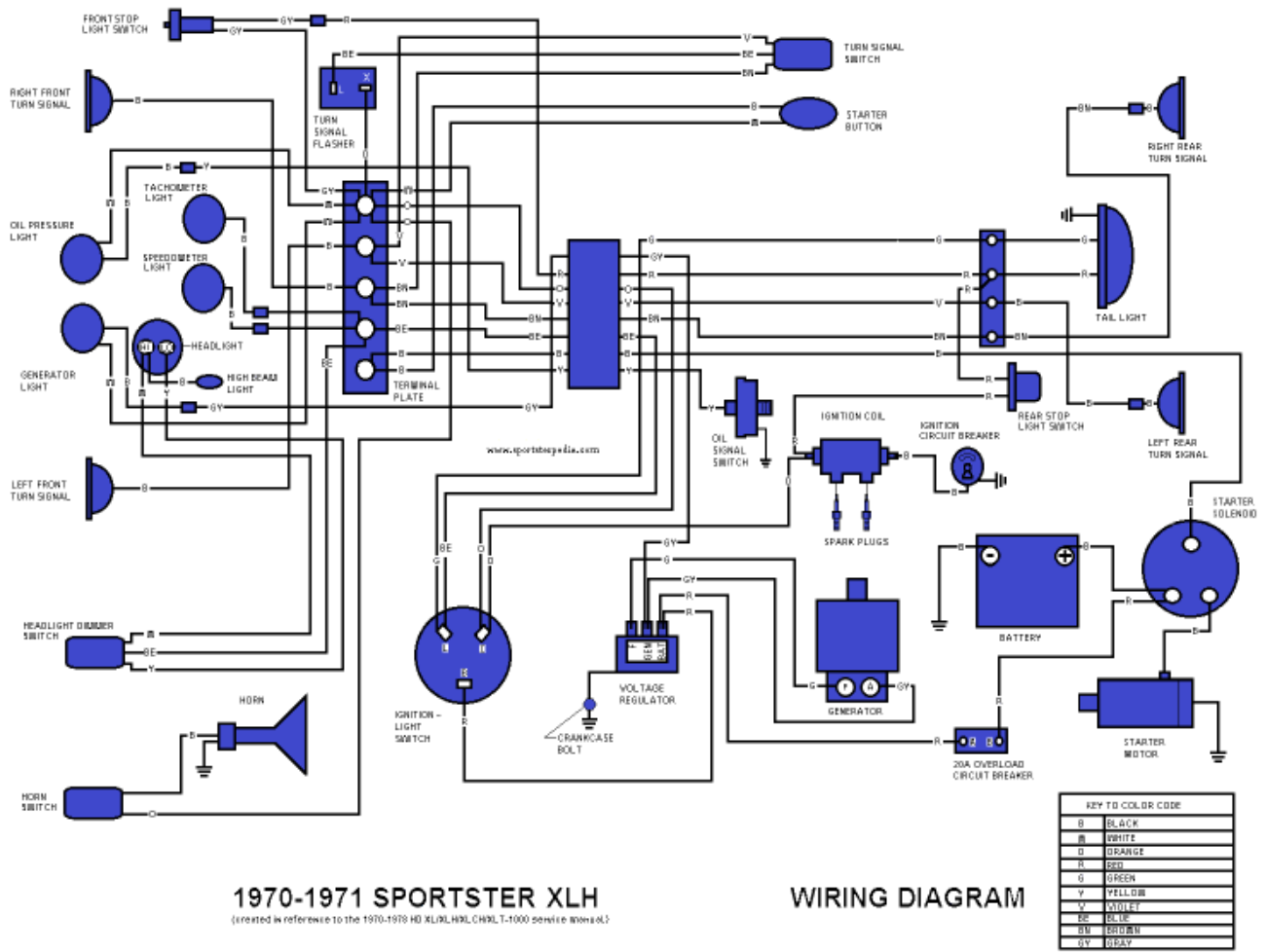
(created in reference to the 1957-1988 HD XL/XLH/FLCH-888 service manual)

WIRING DIAGRAM

11)

1970-1971 Sportster XLH

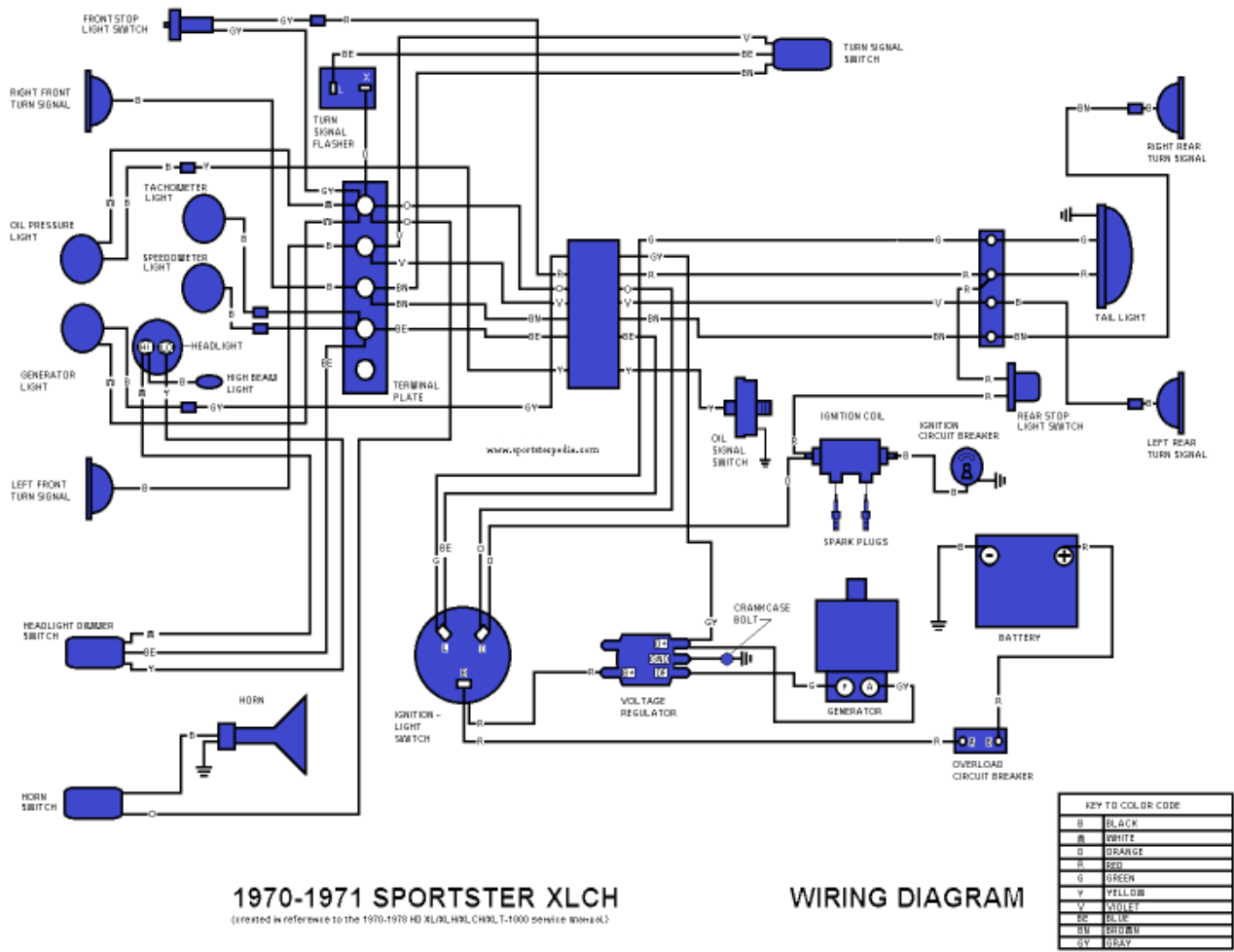
Click on the drawing to enlarge:



12)

1970-1971 Sportster XLCH

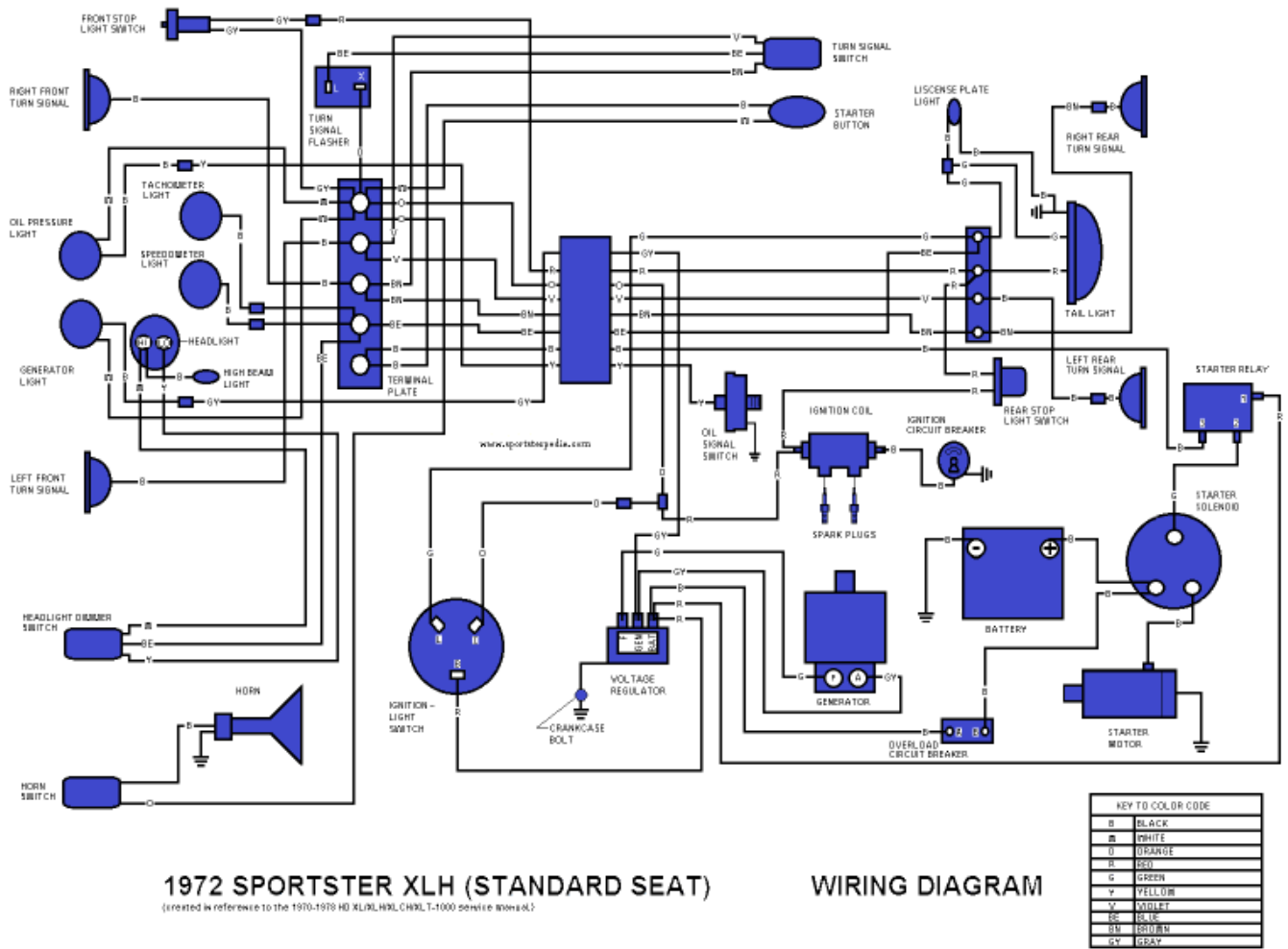
Click on the drawing to enlarge:



13)

1972 Sportster XLH - Standard Seat

[Click on the drawing to enlarge:](#)



1972 SPORTSTER XLH (STANDARD SEAT)

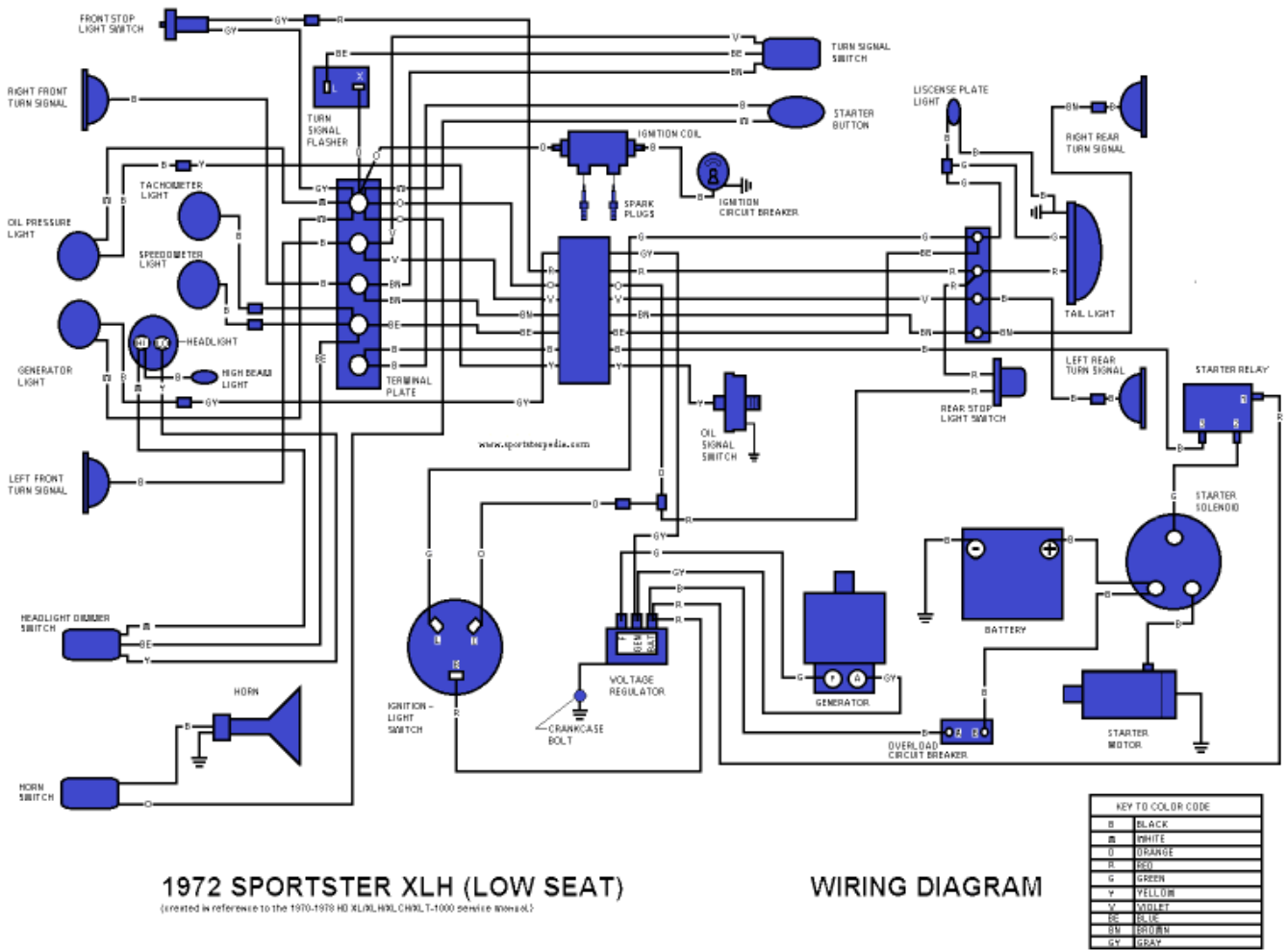
(created in reference to the 1970-1978 HD XLH, XLHXL, CHXL, T-1000 service manual)

WIRING DIAGRAM

14)

1972 Sportster XLH - Low Seat

Click on the drawing to enlarge:



1972 SPORTSTER XLH (LOW SEAT)

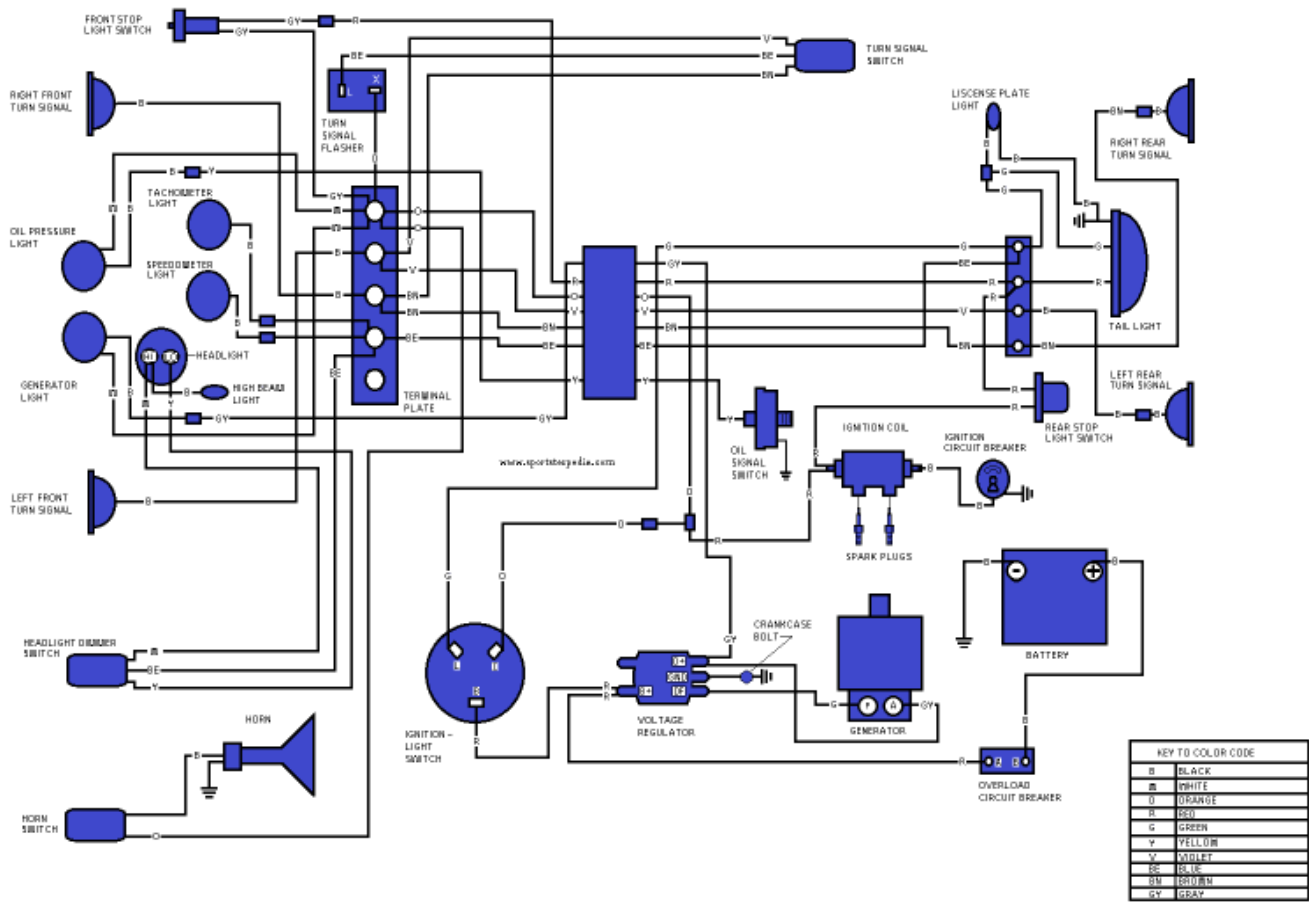
(created in reference to the 1970-1978 HD XLH, XLH, CHXL, T-1000 service manual)

WIRING DIAGRAM

15)

1972 Sportster XLCH - Standard Seat

Click on the drawing to enlarge:



1972 SPORTSTER XLCH (STANDARD SEAT)

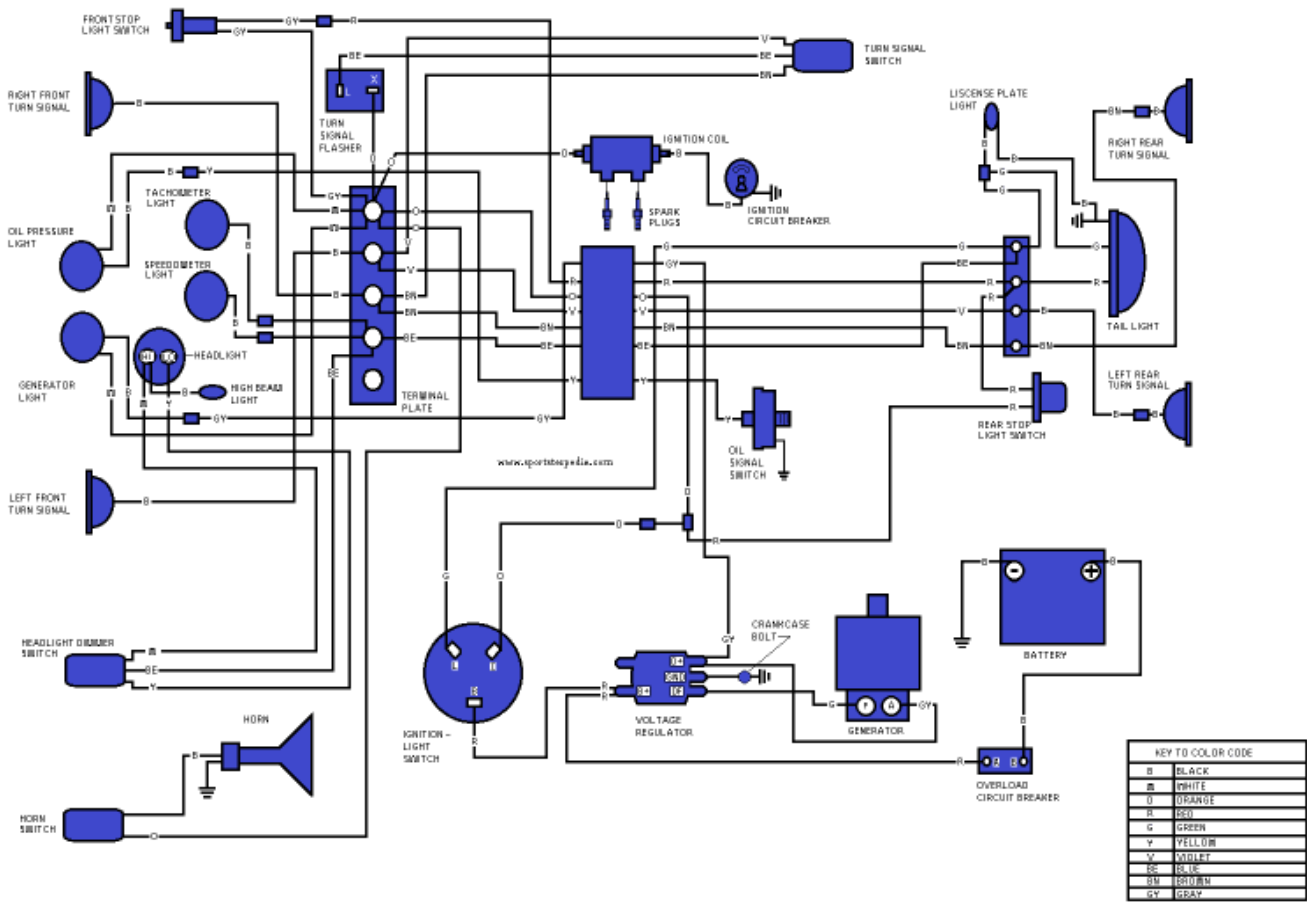
(created in reference to the 1970-1978 HD XLRL, HXL, CHXL, T-1000 service manual)

WIRING DIAGRAM

16)

1972 Sportster XLCH - Low Seat

Click on the drawing to enlarge:



1972 SPORTSTER XLCH (LOW SEAT)

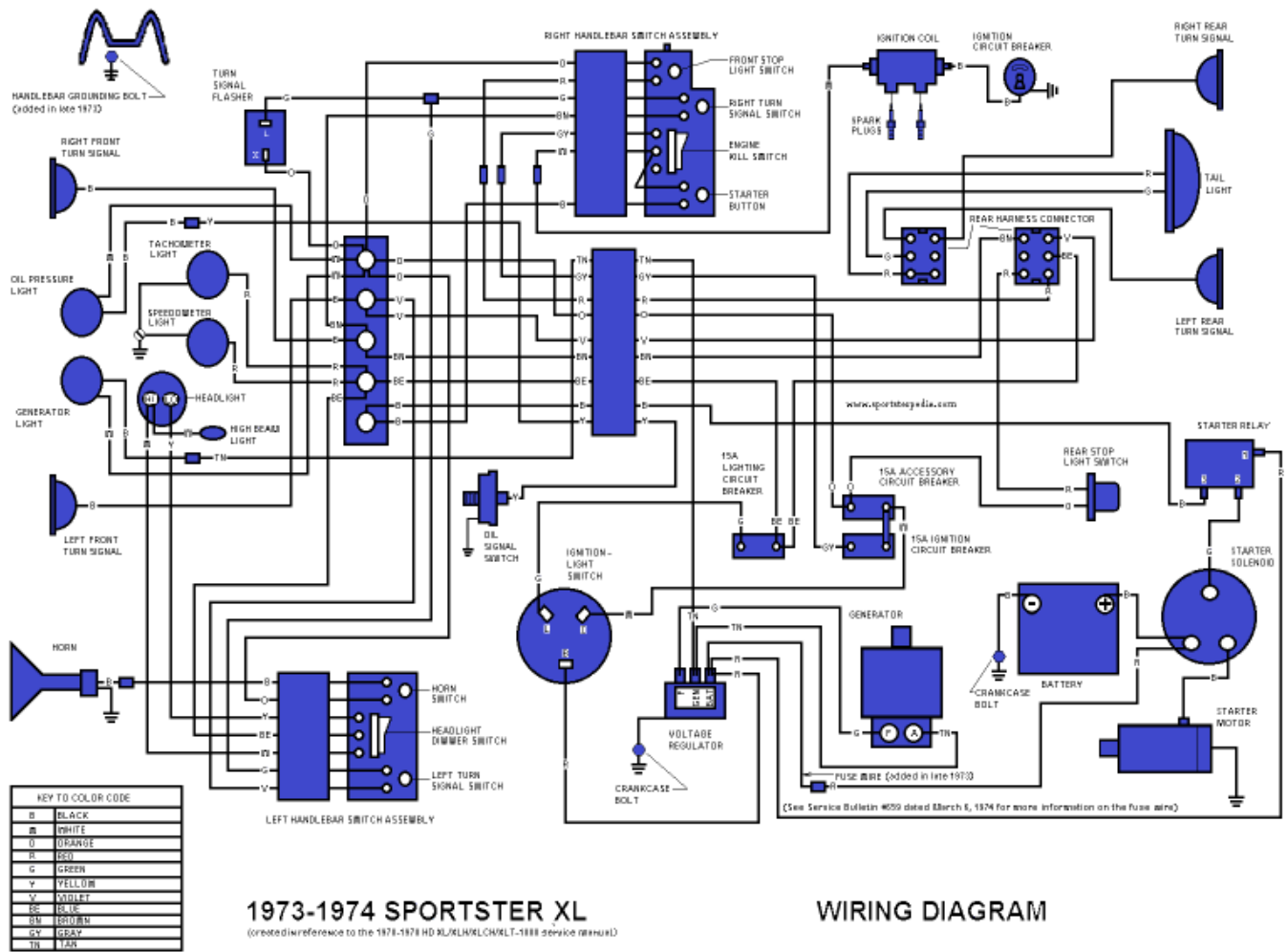
(created in reference to the 1970-1978 HD XL90L,99L,CH90L,1-1000 service manual)

WIRING DIAGRAM

17)

1973-1974 Sportster XL

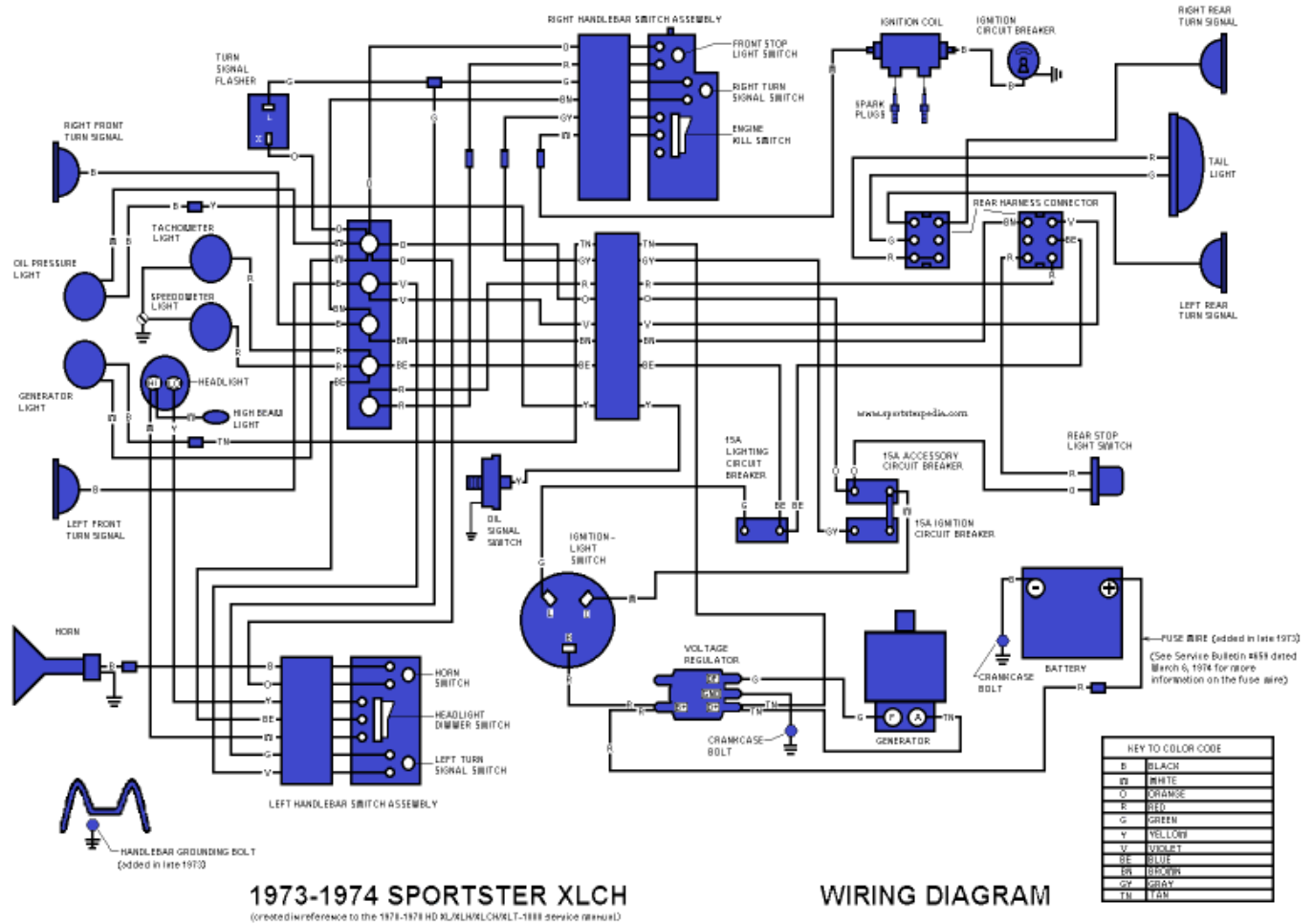
[Click on the drawing to enlarge:](#)



18)

1973-1974 Sportster XLCH

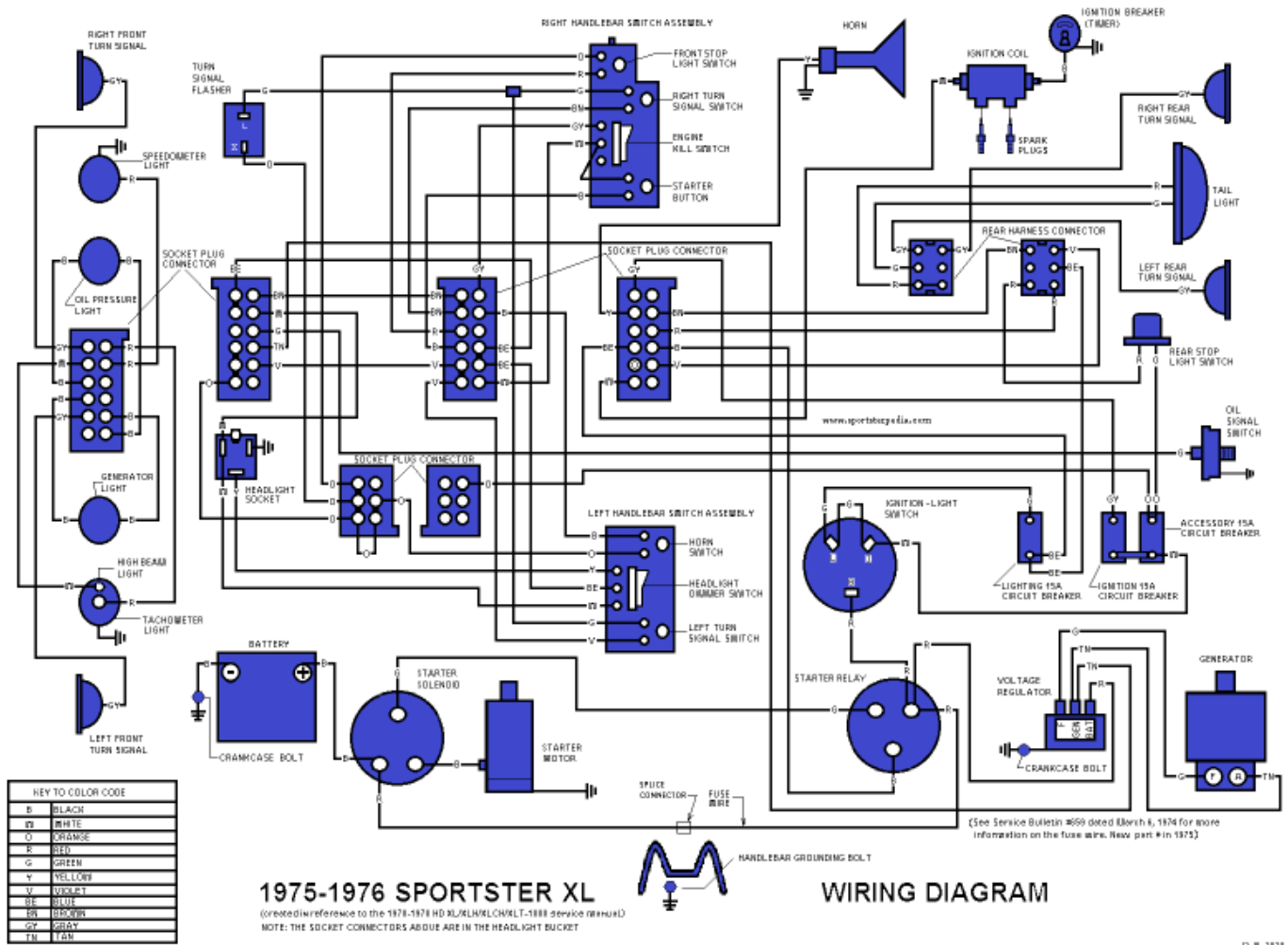
Click on the drawing to enlarge:



19)

1975-1976 Sportster XL

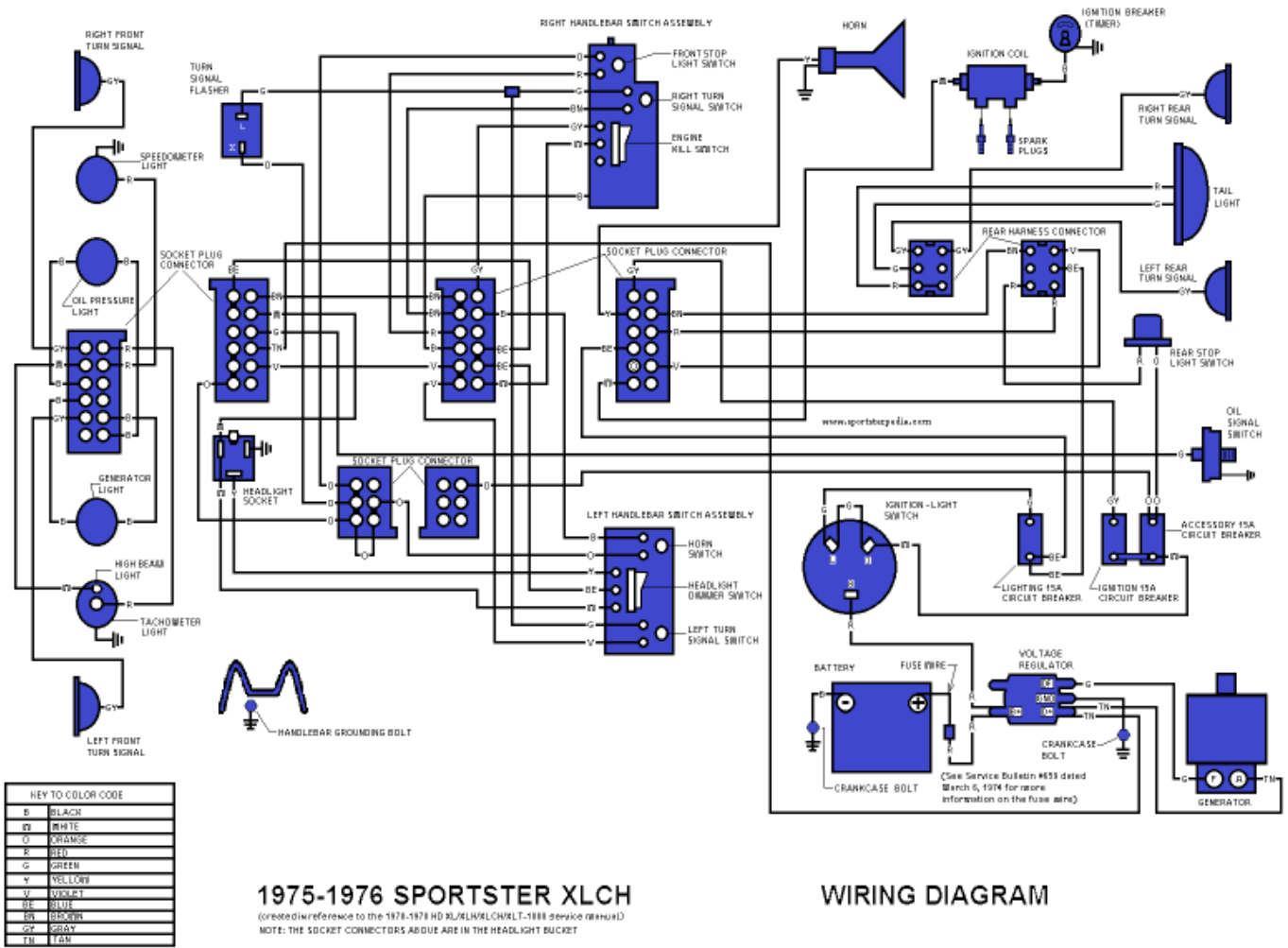
Click on the drawing to enlarge:



20)

1975-1976 Sportster XLCH

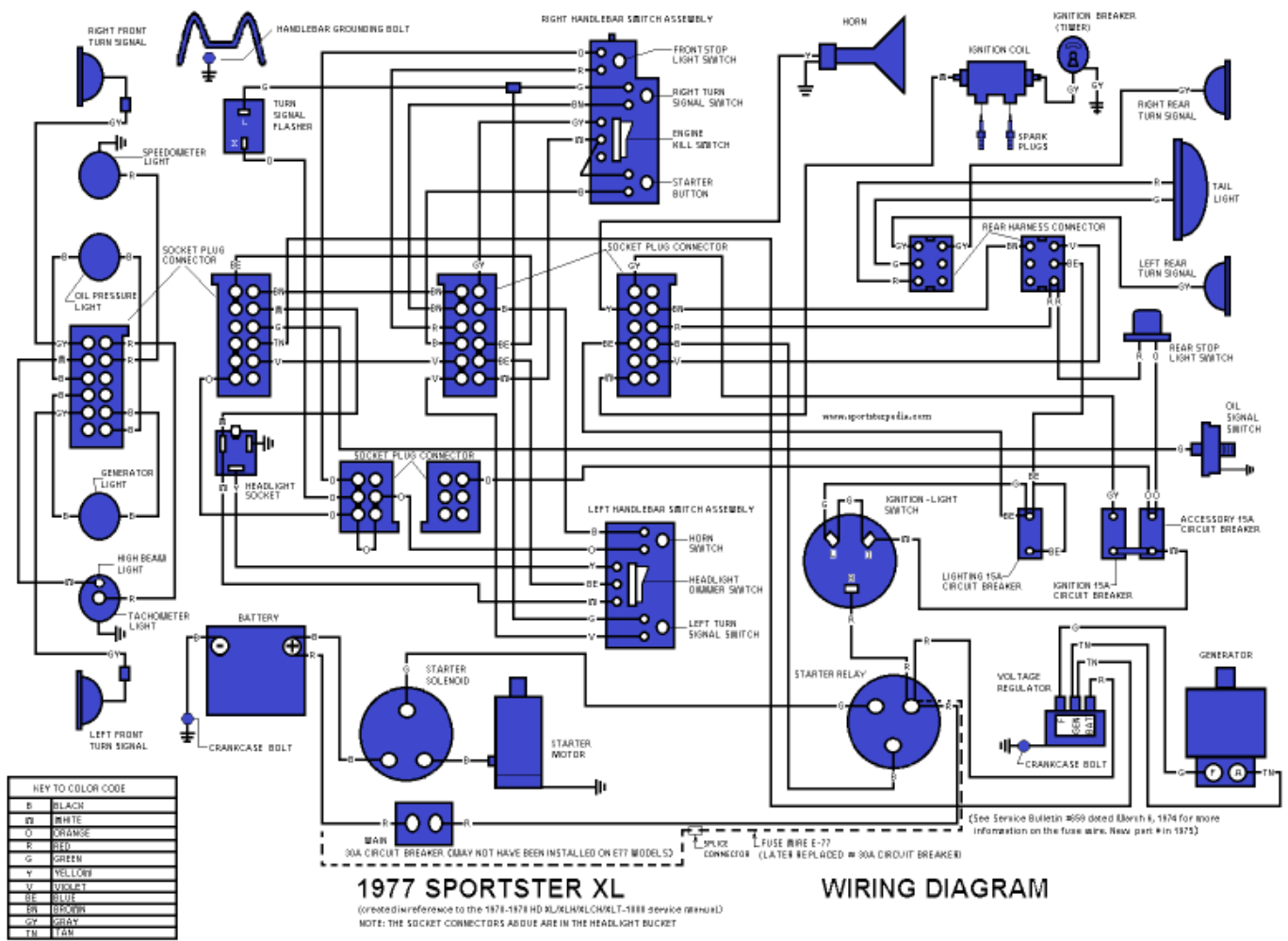
Click on the drawing to enlarge:



21)

1977 Sportster XL

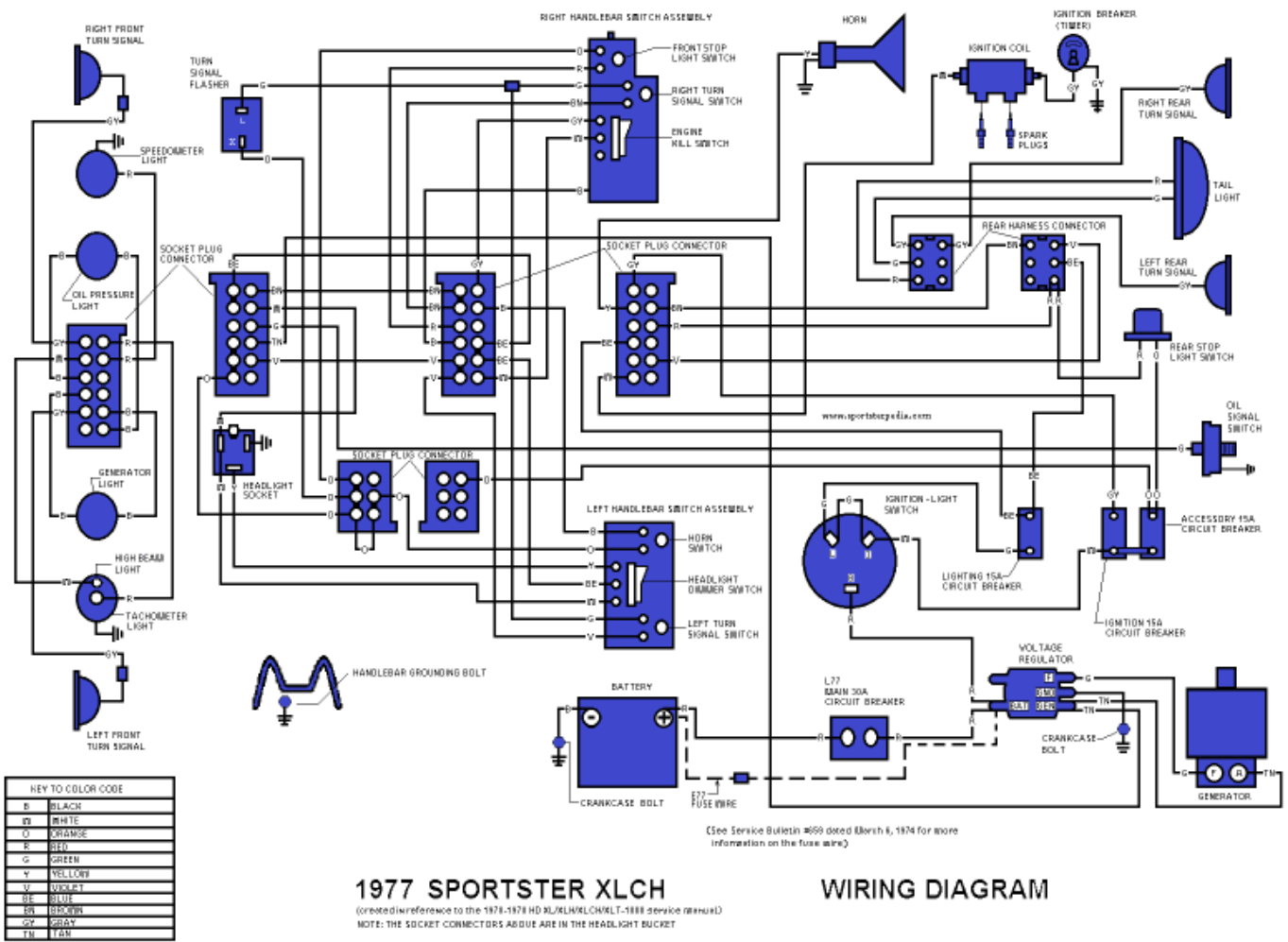
Click on the drawing to enlarge:



22)

1977 Sportster XLCH

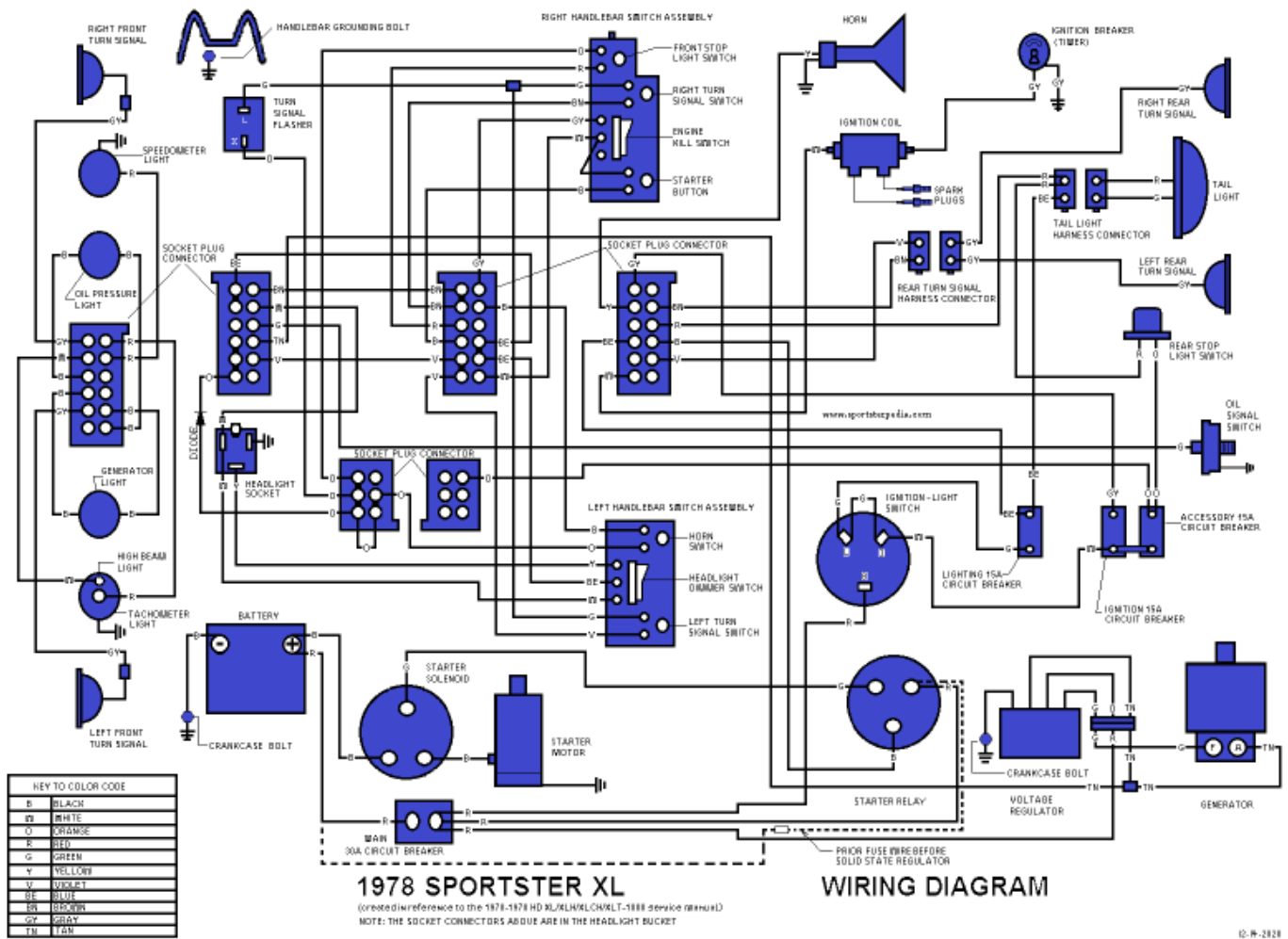
Click on the drawing to enlarge:



23)

1978 Sportster XL

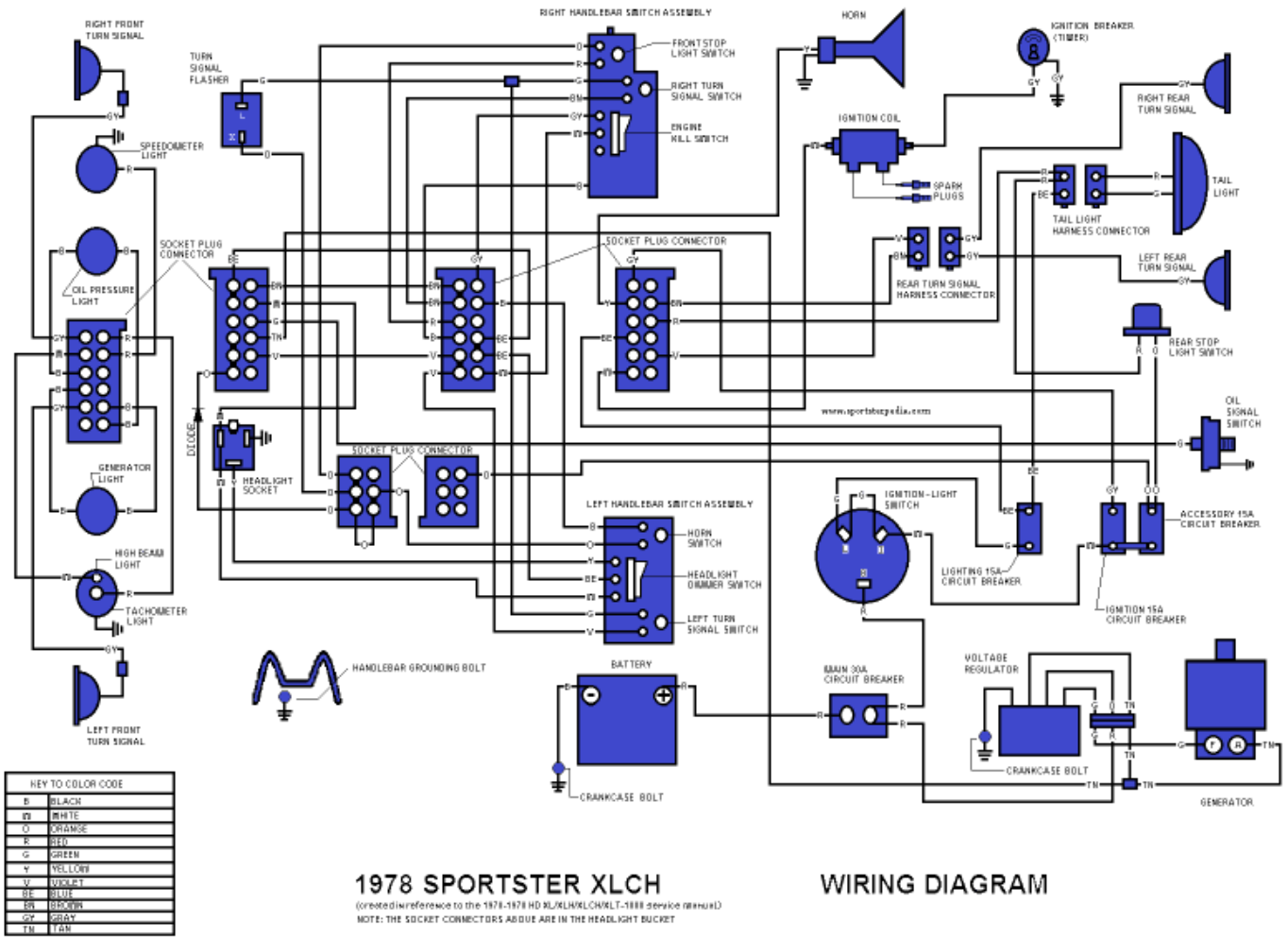
Click on the drawing to enlarge:



24)

1978 Sportster XLCH

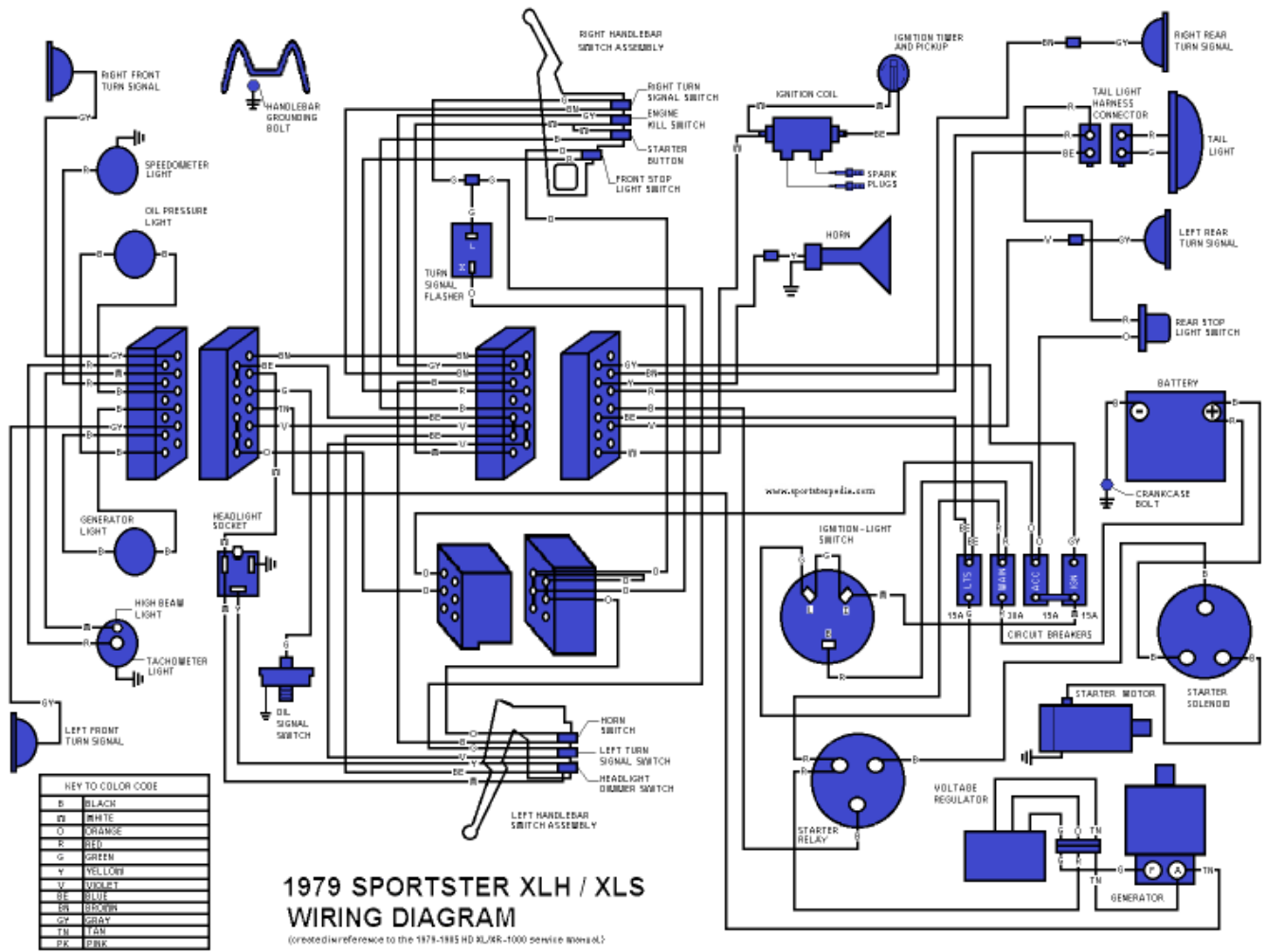
Click on the drawing to enlarge:



25)

1979 Sportster XLH/XLS

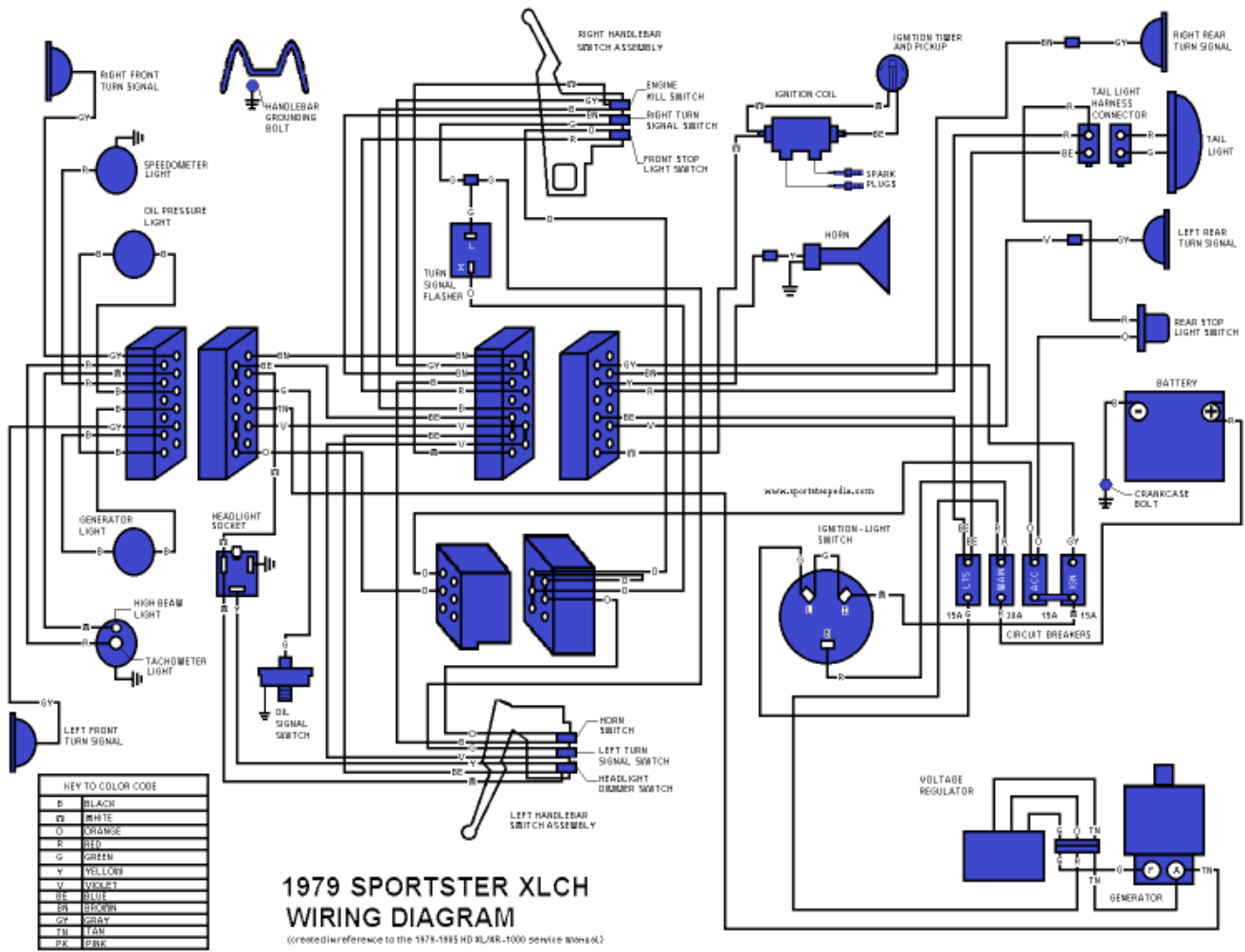
Click on the drawing to enlarge:



26)

1979 Sportster XLCH

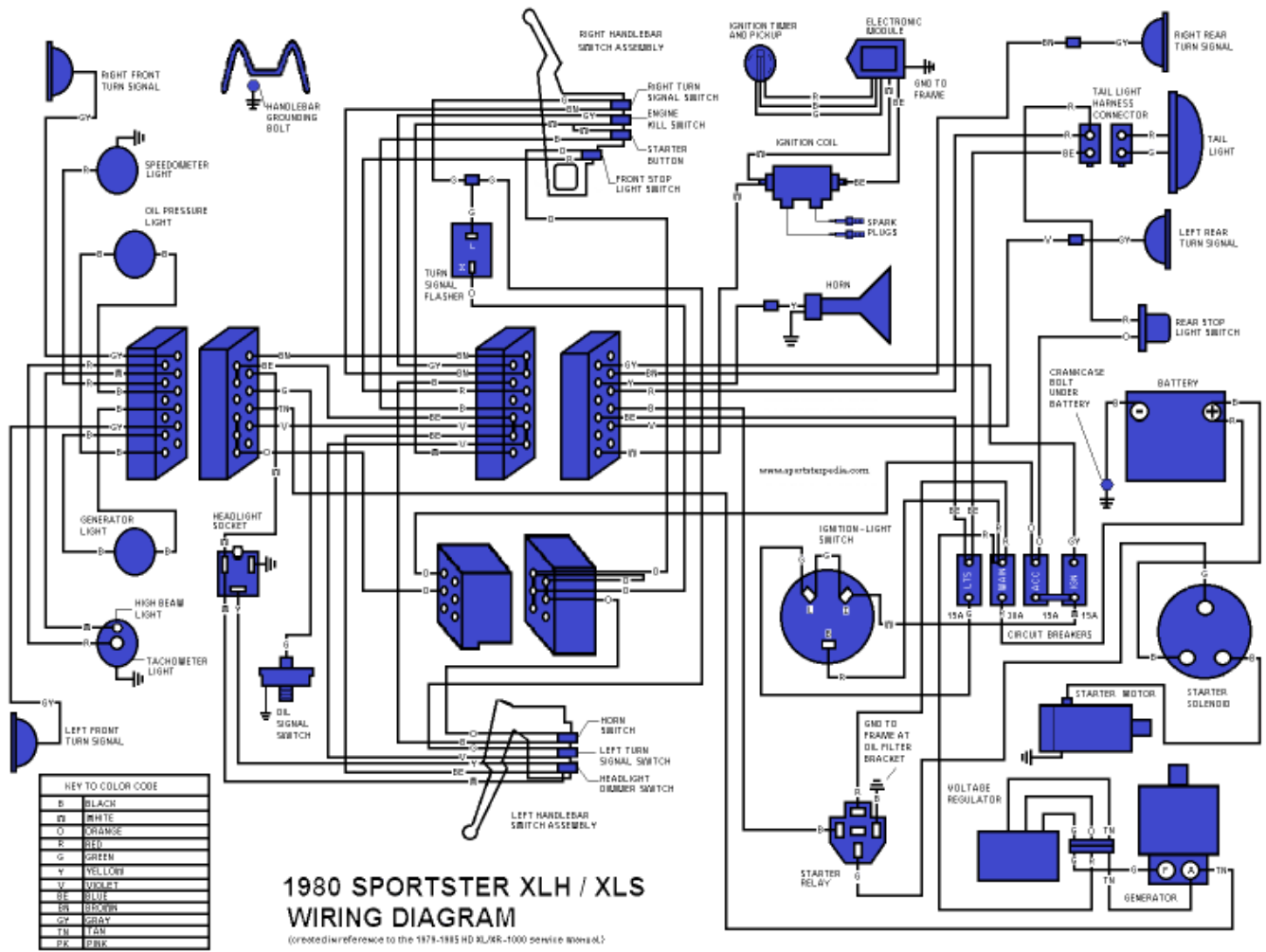
Click on the drawing to enlarge:



27)

1980 Sportster XLH/XLS

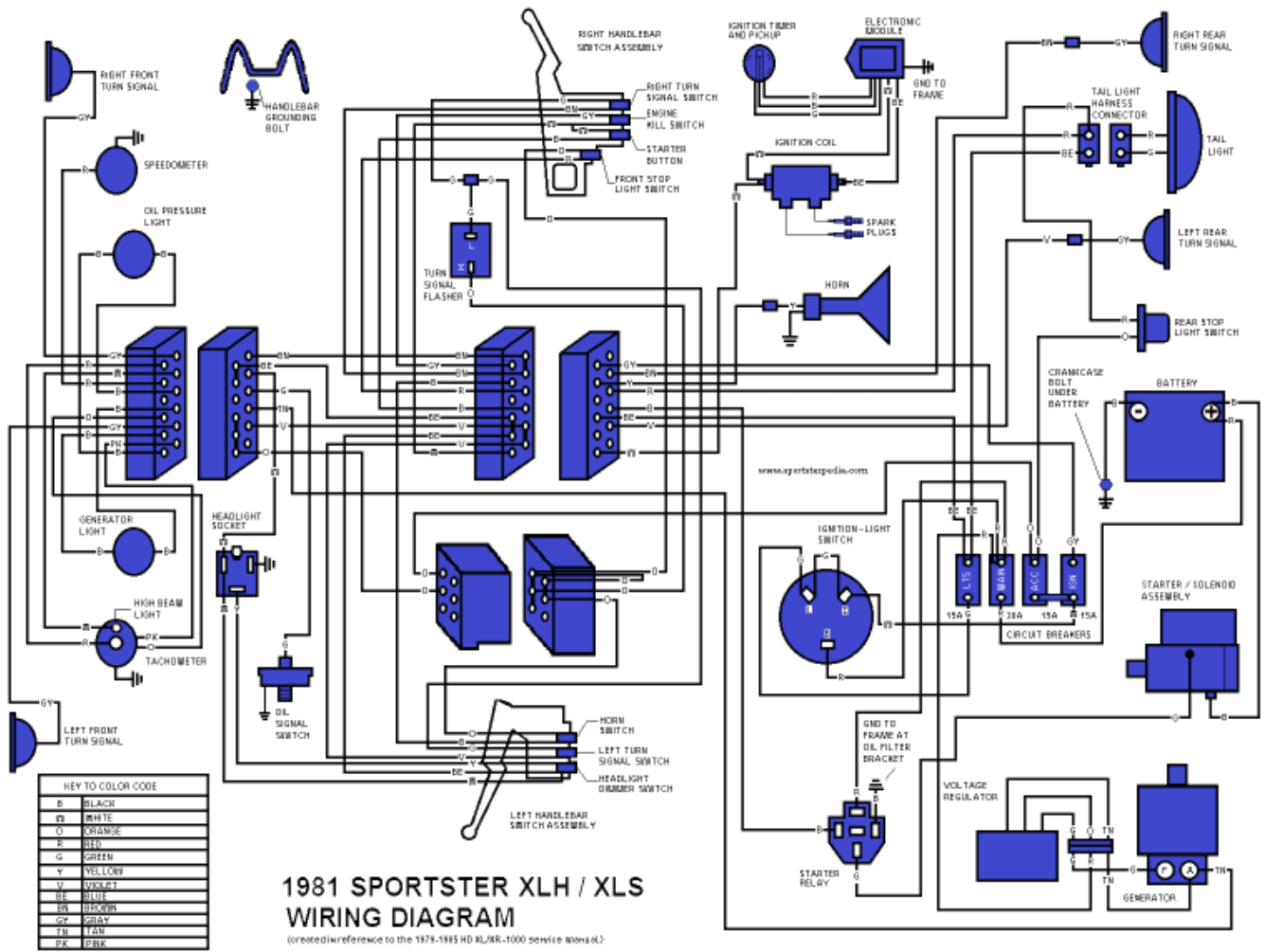
Click on the drawing to enlarge:



28)

1981 Sportster XLH/XLS

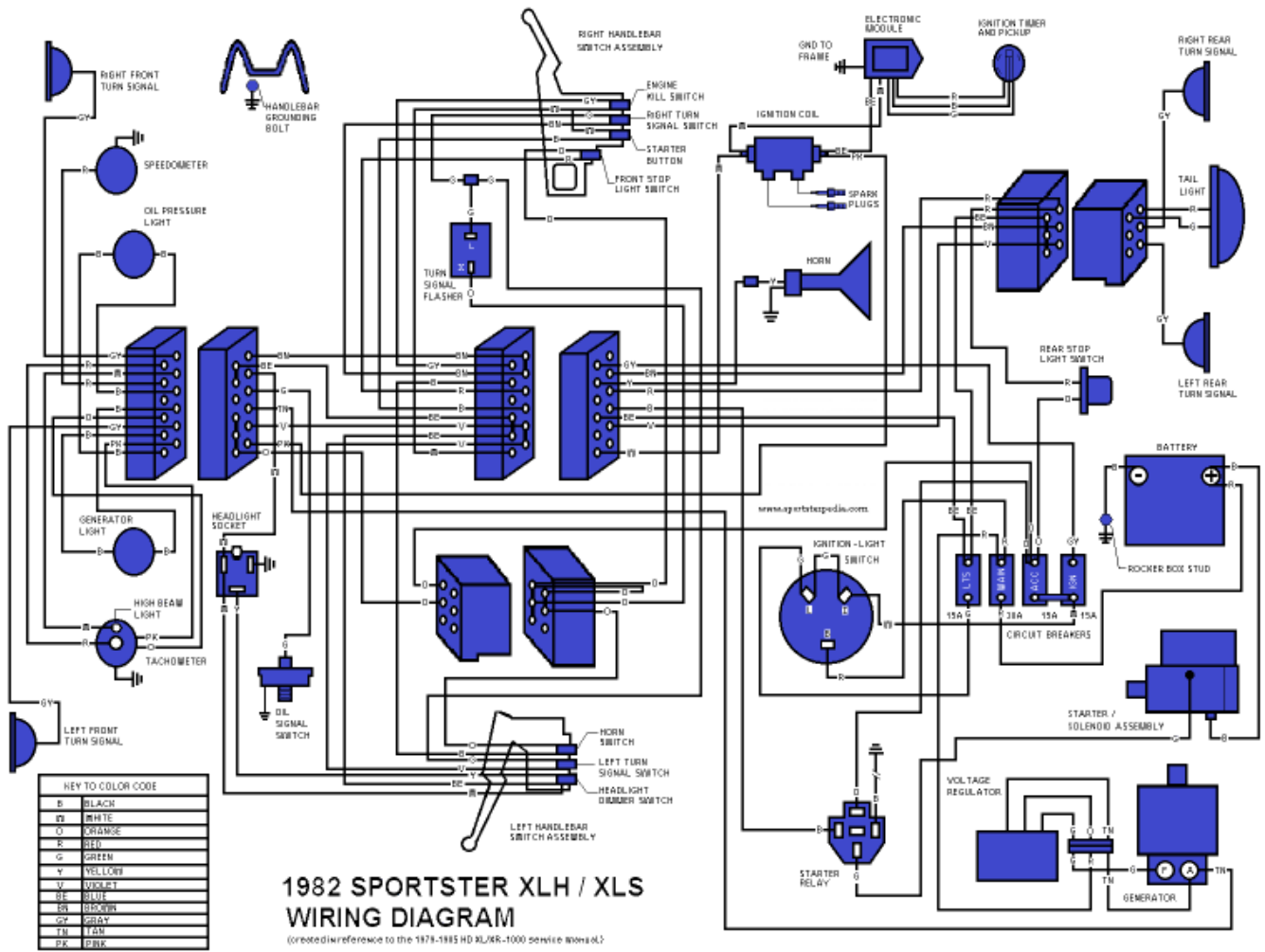
Click on the drawing to enlarge:



29)

1982 Sportster XLH/XLS

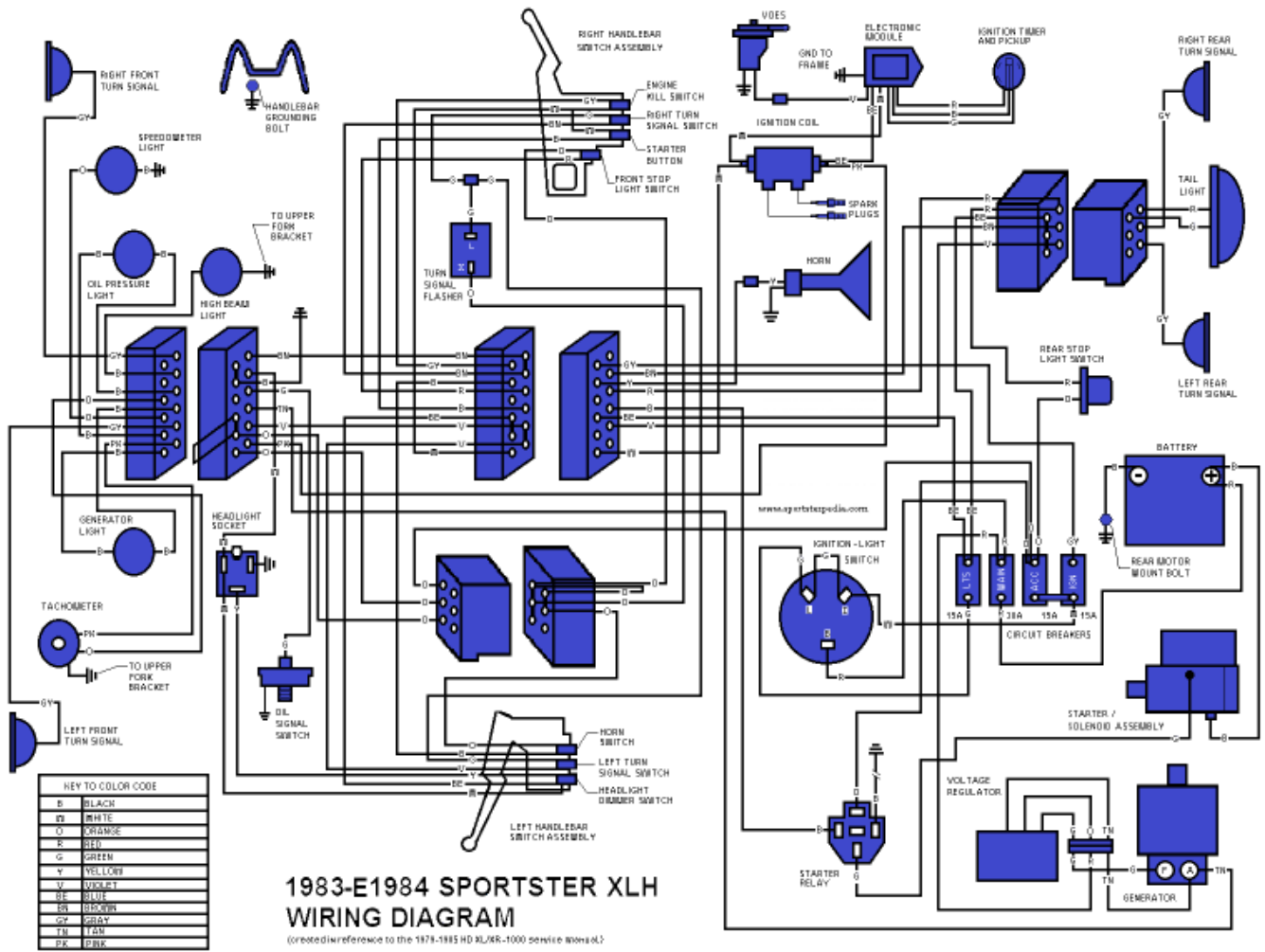
Click on the drawing to enlarge:



30)

1983-E1984 Sportster XLH

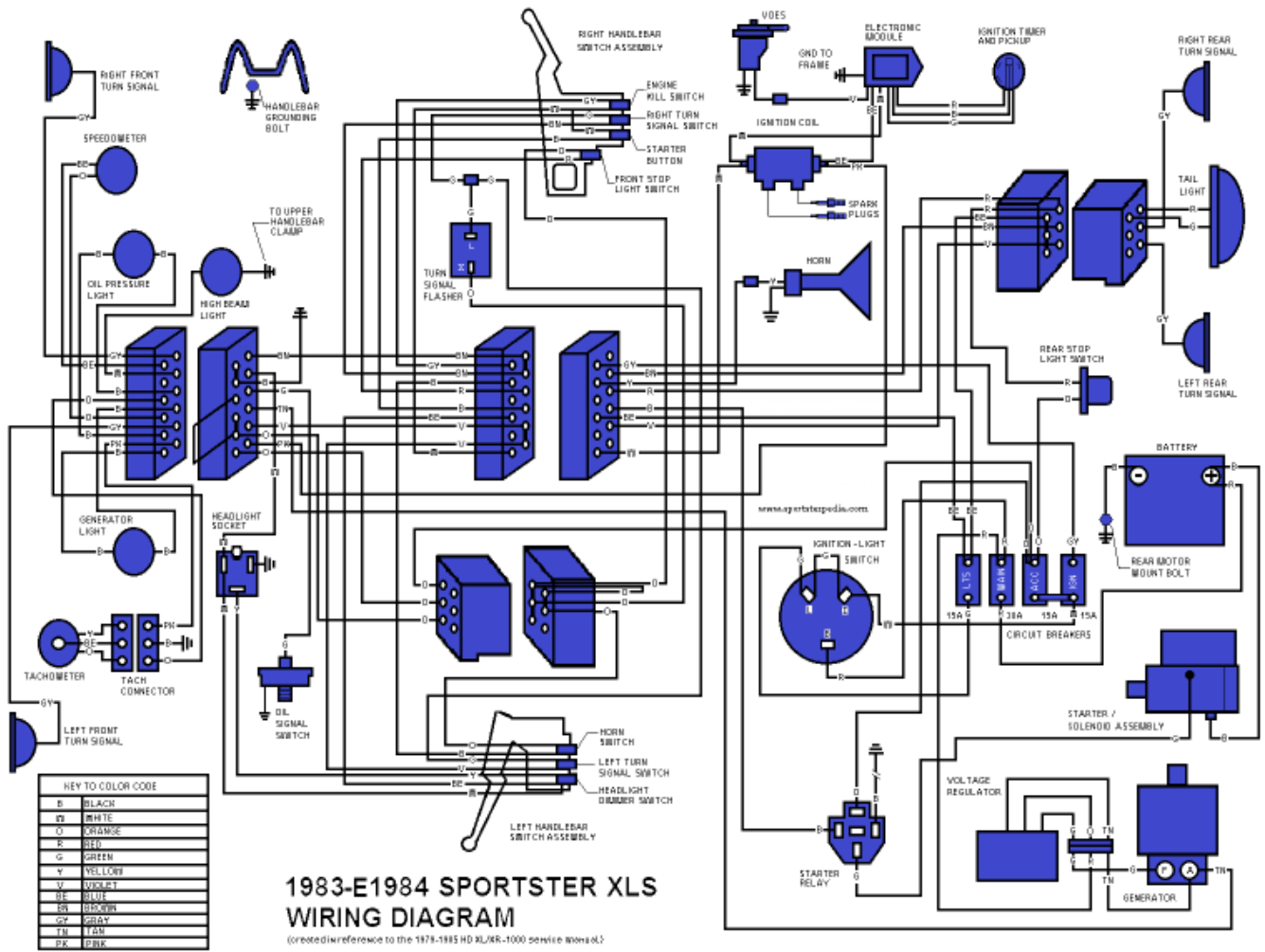
Click on the drawing to enlarge:



31)

1983-E1984 Sportster XLS

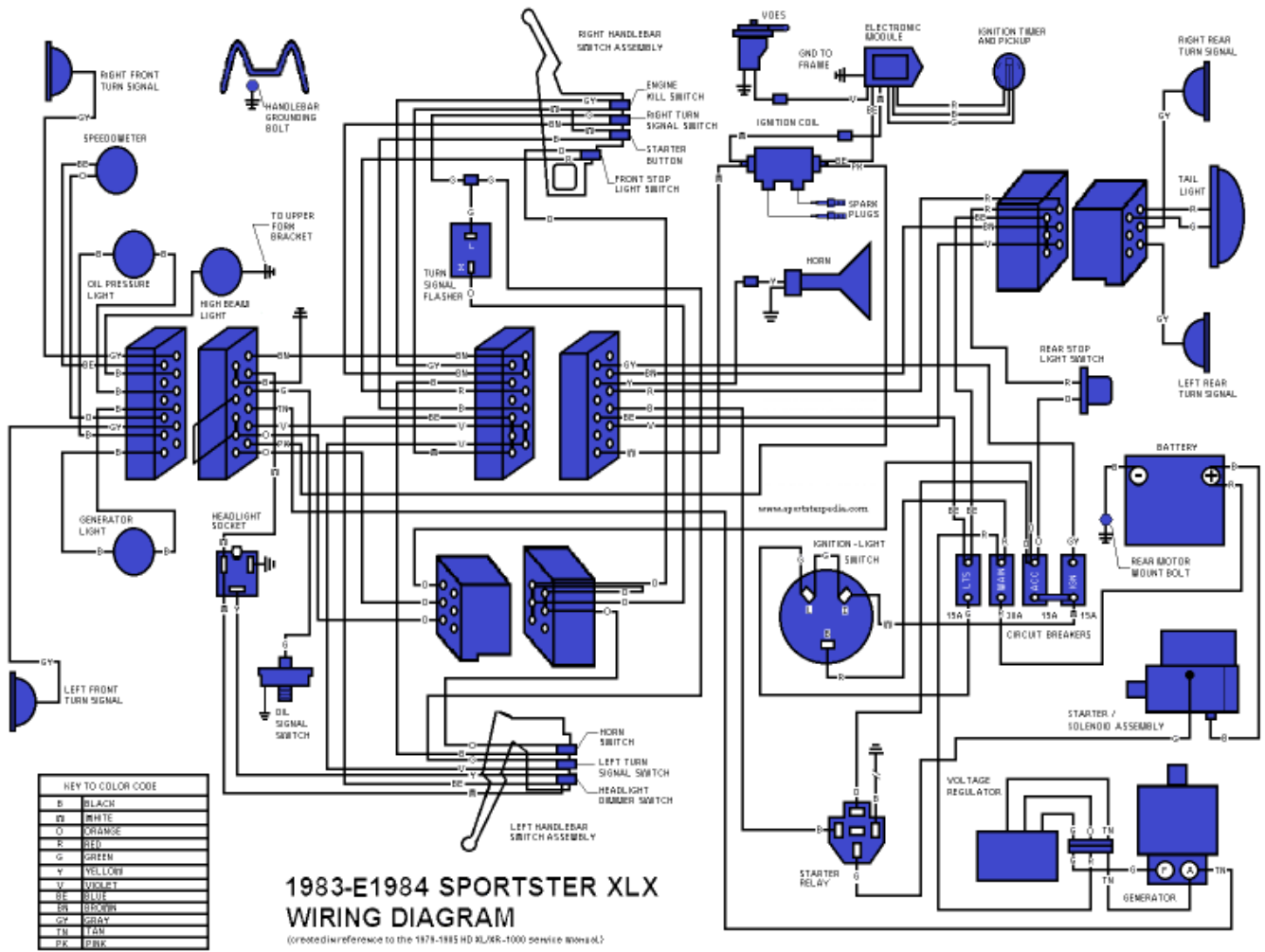
Click on the drawing to enlarge:



32)

1983-E1984 Sportster XLX

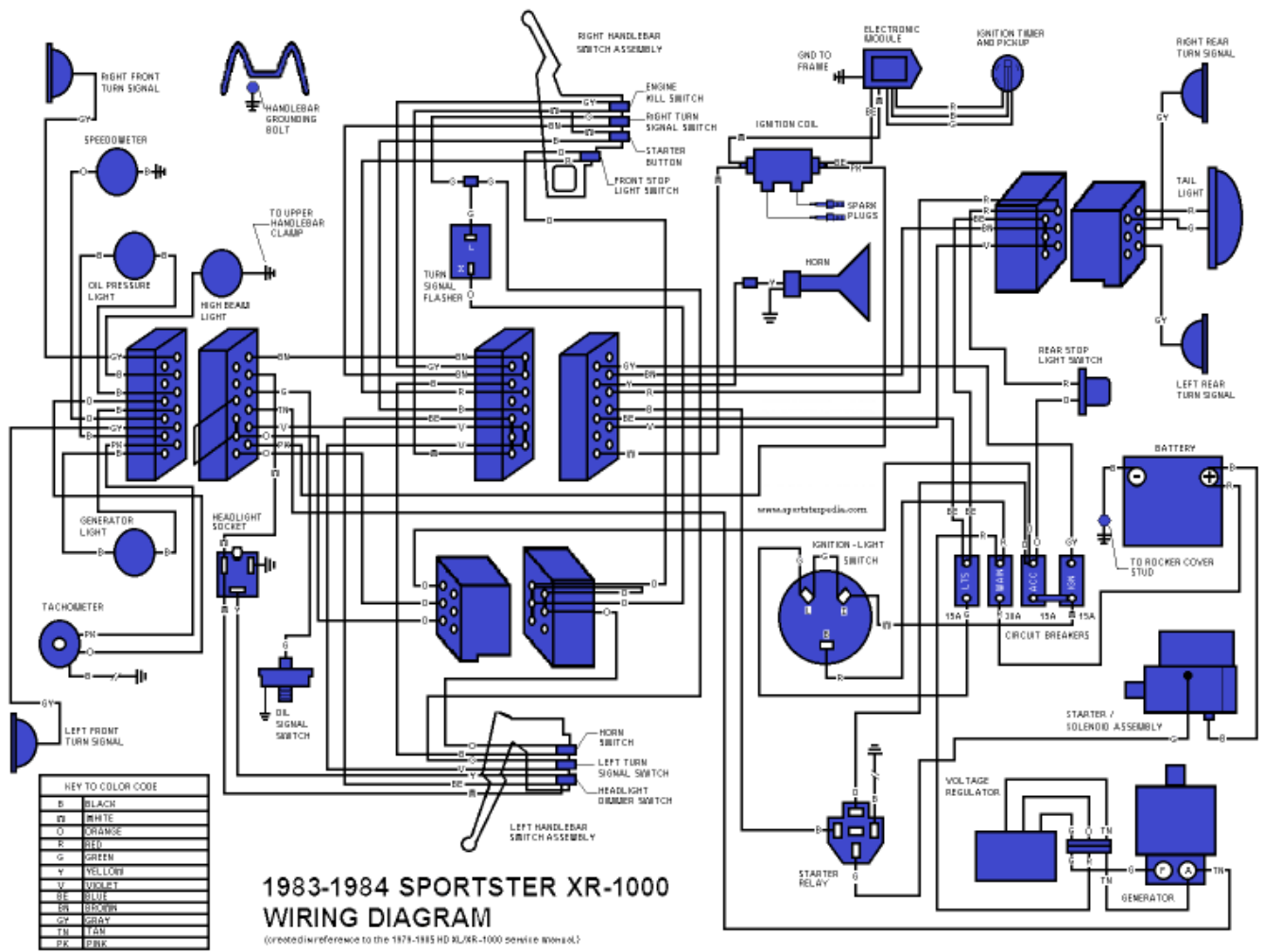
Click on the drawing to enlarge:



33)

1983-1984 Sportster XR-1000

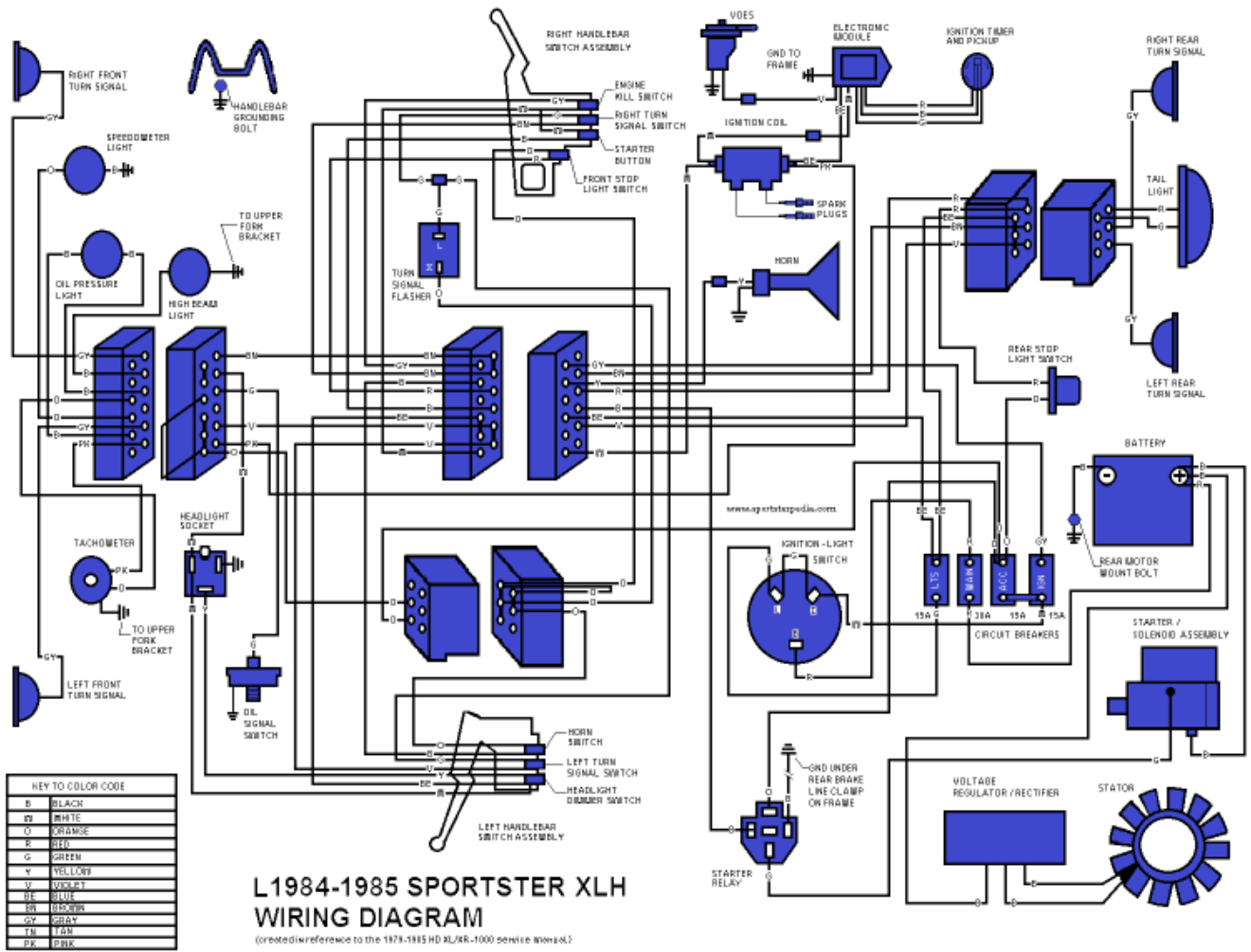
[Click on the drawing to enlarge:](#)



34)

L1984-1985 Sportster XLH

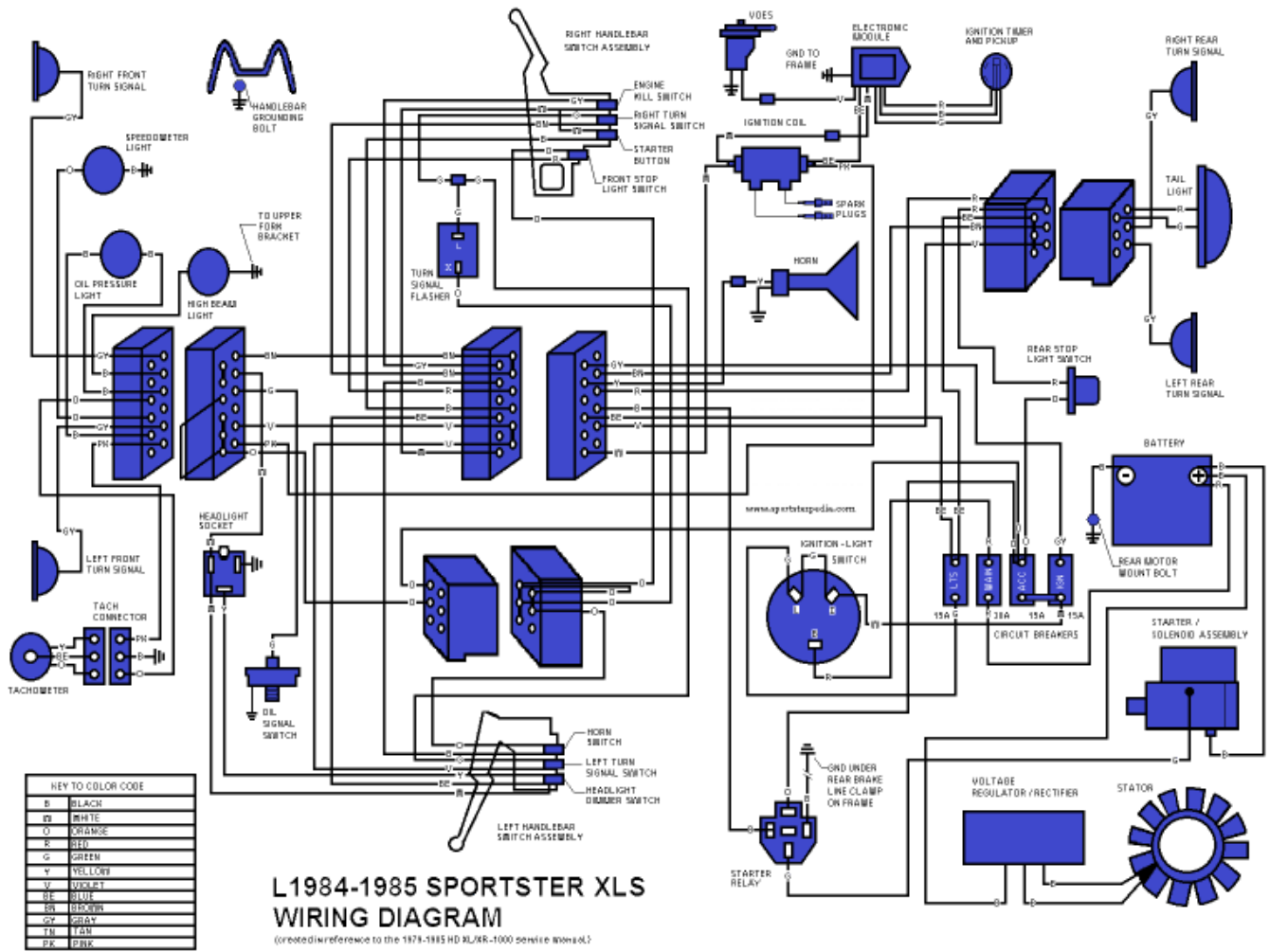
Click on the drawing to enlarge:



35)

L1984-1985 Sportster XLS

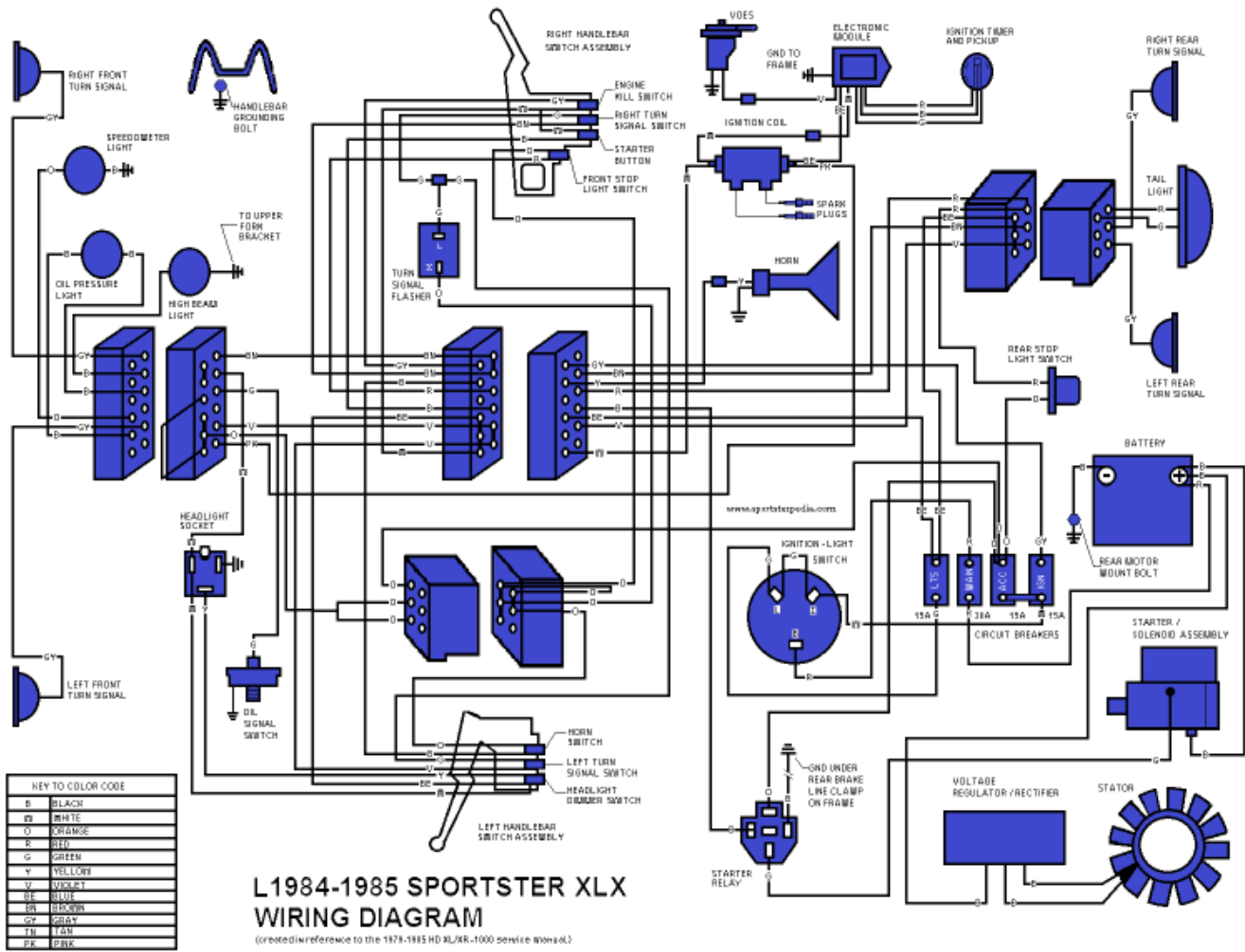
Click on the drawing to enlarge:



36)

L1984-1985 Sportster XLX

Click on the drawing to enlarge:

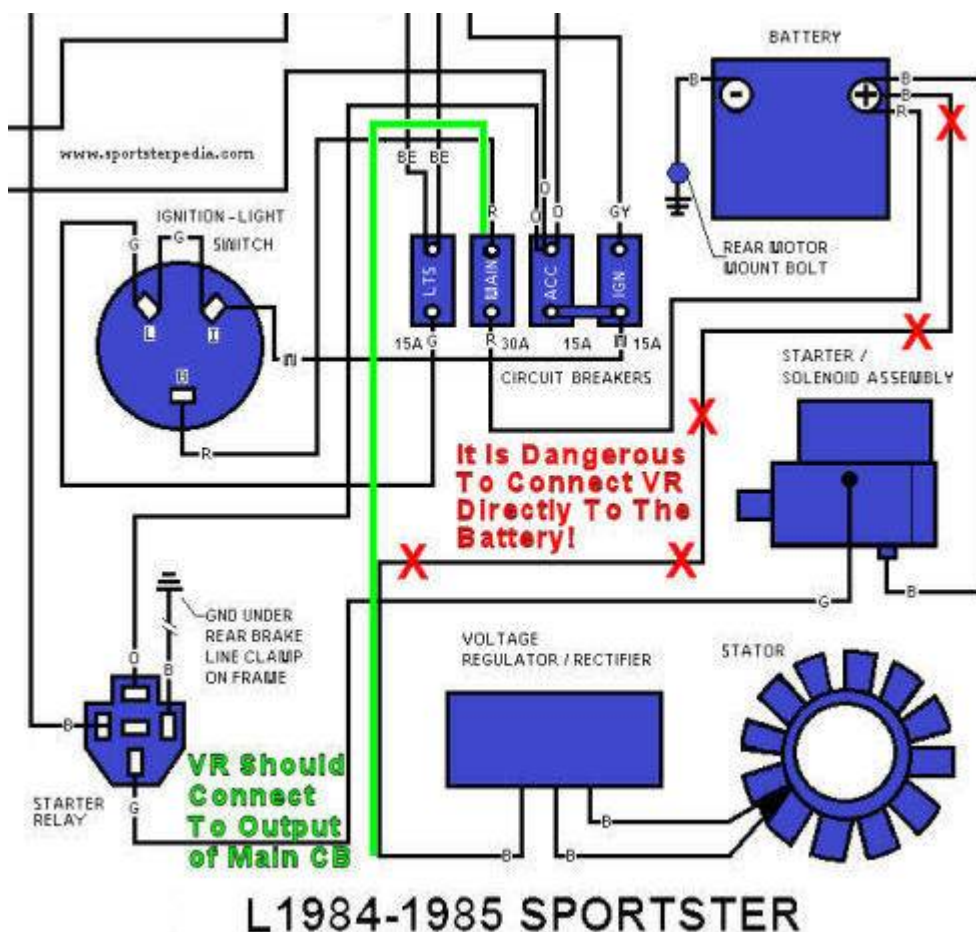


37)

L1984-1985 Wiring Issue - Might Be Dangerous

Note: The L84-85 Wiring Diagrams show an improper connection from the Regulator to the Battery.

The wiring diagram shows an unsafe connection but we have not been able to determine if the actual bikes are wired wrong, matching those wrong wiring diagrams. So the following information needs to be verified against the actual bike wiring.



The Main Circuit Breaker is supposed to protect the wiring from a shorted battery. If the regulator is connected directly to the battery (as shown on the diagrams), not utilizing the main circuit breaker for protection, there is a potentially dangerous situation. If the regulator internally or externally shorts that wire, connected to the battery, to ground, the battery will supply upto 200 amps of current, **causing the wire to overheat and possibly creating a fire**. This is what the Main Circuit breaker is to prevent.

So, the proper way to connect the output of the voltage regulator to the system is at the output side of the Main Circuit Breaker (typically, on the Silver Stud). The battery would be connected to the input side of the Main Circuit Breaker on the Brass Stud.

This is the way earlier & later model wiring diagrams show the connection of the voltage regulator to the circuit breakers. The L84-85 diagrams are the only ones showing this improper, potentially dangerous, wiring.

If you find that your bike is improperly wired, **PLEASE, rewire your bike to make it safe**. Be sure the output wire of the voltage regulator is connected to the output side of the Main Circuit Breaker (typically, on the Silver Stud).

Because so many bikes (especially the Ironheads) have had the wiring modified (either deliberately or simply by accident while making repairs or modifications) it is hard to find this answer unless you have a truly UNMOLESTED model of those years. For those who don't understand this issue (and its dangers), I can imagine that putting the wiring back improperly (maybe for convenience) was easy to do.??

Go To Technical Menu

1)

drawing by Hippysmack, the 1957-1969 HD Sportster XL/XLH/XLCH FSM pg 168 used as reference

2)

drawing by Hippysmack, the 1957-1969 HD Sportster XL/XLH/XLCH FSM pg 166 used as reference

3)

drawing by Hippysmack, the 1957-1969 HD Sportster XL/XLH/XLCH FSM pg 170 used as reference

4)

drawing by Hippysmack, the 1957-1969 HD Sportster XL/XLH/XLCH FSM pg 173 used as reference

5)

drawing by Hippysmack, the 1957-1969 HD Sportster XL/XLH/XLCH FSM pg 172 used as reference

6)

drawing by Hippysmack, the 1957-1969 HD Sportster XL/XLH/XLCH FSM pg 174 used as reference

7)

drawing by Hippysmack, the 1957-1969 HD Sportster XL/XLH/XLCH FSM pg 175 used as reference

8)

drawing by Hippysmack, the 1957-1969 HD Sportster XL/XLH/XLCH FSM pg 176 used as reference

9)

drawing by Hippysmack, the 1957-1969 HD Sportster XL/XLH/XLCH FSM pg 178 used as reference

10)

drawing by Hippysmack, the 1957-1969 HD Sportster XL/XLH/XLCH FSM pg 180 used as reference

11)

drawing by Hippysmack, the 1957-1969 HD Sportster XL/XLH/XLCH FSM pg 181 used as reference

12)

drawing by Hippysmack, the 1970-1978 HD Sportster XL/XLH/XLCH/XLT FSM pg 5-3 used as reference

13) 14)

drawing by Hippysmack, the 1970-1978 HD Sportster XL/XLH/XLCH/XLT FSM pg 5-5 used as reference

15) 17)

drawing by Hippysmack, the 1970-1978 HD Sportster XL/XLH/XLCH/XLT FSM pg 5-7 used as reference

16)

drawing by Hippysmack, the 1970-1978 HD Sportster XL/XLH/XLCH/XLT FSM pg 5-6 used as reference

18) 19)

drawing by Hippysmack, the 1970-1978 HD Sportster XL/XLH/XLCH/XLT FSM pg 5-9 used as reference

20) 21)

drawing by Hippysmack, the 1970-1978 HD Sportster XL/XLH/XLCH/XLT FSM pg 5-11 used as reference

22) 23)

drawing by Hippysmack, the 1970-1978 HD Sportster XL/XLH/XLCH/XLT FSM pg 5-13 used as reference

24) 25)

drawing by Hippysmack, the 1970-1978 HD Sportster XL/XLH/XLCH/XLT FSM pg 5-15 used as reference

26) 27) 28) 29) 30) 31) 32) 33) 34) 35) 36) 37)

drawing by Hippysmack, the 1979-1985 HD Sportster XL/XLH/XLCH/XLT FSM used as reference

From:

<https://mail.sportsterpedia.com/> - **Sportsterpedia**

Permanent link:

<https://mail.sportsterpedia.com/doku.php/techtalk:ih:elec08>

Last update: **2024/04/07 01:04**



